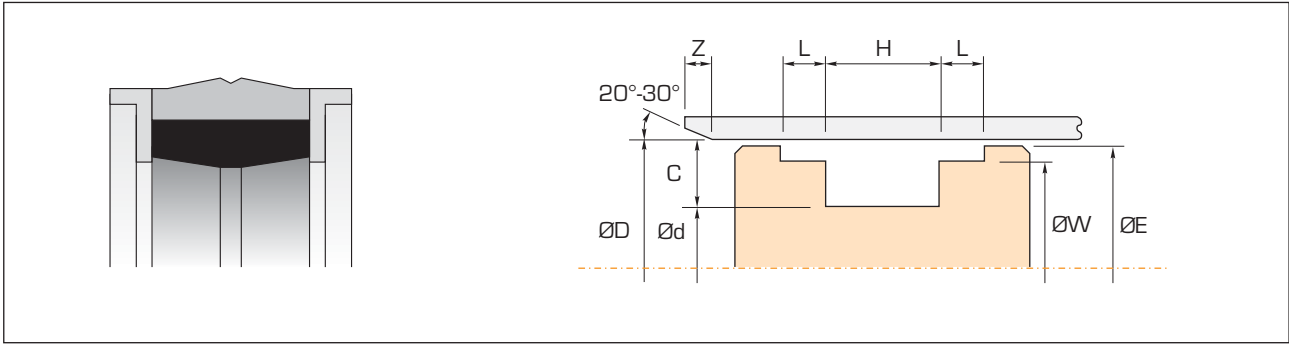


- Category**
- Seal, Double Acting Piston
- Construction**
- Central fabric reinforced NBR sealing element with two L shape acetal wear rings
- Housing**
- Stepped groove in one piece piston
- Duty**
- Medium
- Features**
- Easy installation onto one piece pistons
 - Wear rings eliminate metal to metal contact
- Comments**
- Integrated seal and wear ring design
 - Back up washers and wear rings are split for easy assembly
- Size Range**
- Metric

Metric Specifications

Operating Conditions	Maximum Speed:	0.5 m/sec
	Temperature Range:	-30°C ~ 100°C
	Maximum Pressure:	350 bar
Surface Finish	Dynamic Sealing Face:	0.1 ~ 0.4 µmRa
	Static Sealing Face:	1.6 µmRa max
	Other Faces:	3.2 µmRa max
Chamfers		
Minimum Z = C x 0.70		where C = (ØD - Ød) ÷ 2
Imperial Specifications		
Operating Conditions	Maximum Speed:	1.5 ft/sec
	Temperature Range:	-22°F ~ 212°F
	Maximum Pressure:	5000 psi
Surface Finish	Dynamic Sealing Face:	4 ~ 16 µinCLA
	Static Sealing Face:	63 µinCLA max
	Other Faces:	125 µinCLA max
Chamfers		
Minimum Z = C x 0.70		where C = (ØD - Ød) ÷ 2



Metric Sizes

Part No.	ØD	Ød	H	ØW	L	ØE
<i>Tolerances</i>	<i>H10</i>	<i>js10</i>	<i>+0.20 -0</i>	<i>+0 -0.05</i>	<i>+0.10 -0</i>	<i>±0.10</i>
DM4032-15.5-MDL	40.00	32.00	15.50	36.00	3.20	39.40
DM5038-20.5-MDL	50.00	38.00	20.50	46.00	4.20	49.40
DM5543-20.5-MDL	55.00	43.00	20.50	51.00	4.20	54.40
DM6048-20.5-MDL	60.00	48.00	20.50	56.00	4.20	59.40
DM6351-20.5-MDL	63.00	51.00	20.50	59.00	4.20	62.40
DM6553-20.5-MDL	65.00	53.00	20.50	61.00	4.20	64.40
DM7058-20.5-MDL	70.00	58.00	20.50	66.00	4.20	69.40
DM8066-22.5-MDL	80.00	66.00	22.50	76.00	5.20	79.40
DM8571-22.5-MDL	85.00	71.00	22.50	81.00	5.20	84.40
DM9076-22.5-MDL	90.00	76.00	22.50	86.00	5.20	89.40
DM10086-22.5-MDL	100.00	86.00	22.50	96.00	5.20	99.40
DM11096-22.5-MDL	110.00	96.00	22.50	106.00	5.20	109.40
DM120106-22.5-MDL	120.00	106.00	22.50	116.00	5.20	119.40
DM125108-26.5-MDL	125.00	108.00	26.50	121.00	7.20	124.40
DM140123-26.5-MDL	140.00	123.00	26.50	136.00	7.20	139.40
DM150133-26.5-MDL	150.00	133.00	26.50	146.00	7.20	149.40
DM160143-26.5-MDL	160.00	143.00	26.50	156.00	7.20	159.40
DM180163-26.5-MDL	180.00	163.00	26.50	176.00	7.20	179.40
DM200180-31.5-MDL	200.00	180.00	31.50	196.00	9.20	199.40
DM220200-31.5-MDL	220.00	200.00	31.50	216.00	9.20	219.40
DM250230-31.5-MDL	250.00	230.00	31.50	246.00	9.20	249.40