

Category

- Seal, Double Acting Piston

Construction

- Central polyurethane sealing ring with NBR energiser and two acetal antiextrusion rings

Housing

- Stepped groove in one piece piston

Duty

- Medium

Features

- Easy installation onto one piece pistons
- Pressure activated back up washer and wear ring design minimise extrusion of the sealing element
- Wear rings eliminate metal to metal contact

Comments

- Integrated seal and wear ring design
- Back up washers and wear rings are split for easy assembly

Manufacturer

- Hallite

Size Range

- Metric

Metric Specifications

Operating Conditions

| | |
|--------------------|---------------|
| Maximum Speed: | 0.5 m/sec |
| Temperature Range: | -30°C ~ 100°C |
| Maximum Pressure: | 350 bar |

Surface Finish

| | |
|-----------------------|----------------|
| Dynamic Sealing Face: | 0.1 ~ 0.4 µmRa |
| Static Sealing Face: | 1.6 µmRa max |
| Other Faces: | 3.2 µmRa max |

Chamfers

| | |
|-----------------------------|--|
| Minimum $Z = C \times 0.60$ | where $C = (\text{ØD} - \text{Ød}) \div 2$ |
|-----------------------------|--|

Imperial Specifications

Operating Conditions

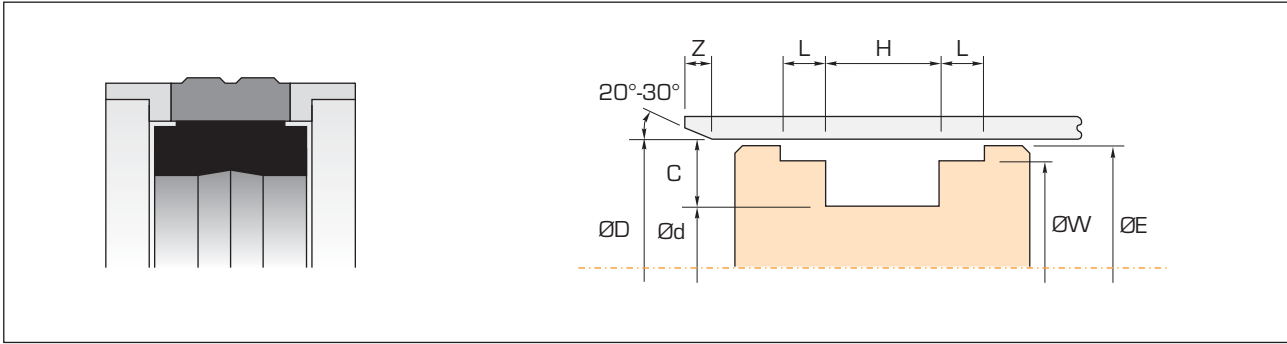
| | |
|--------------------|---------------|
| Maximum Speed: | 1.5 ft/sec |
| Temperature Range: | -22°F ~ 212°F |
| Maximum Pressure: | 5000 psi |

Surface Finish

| | |
|-----------------------|----------------|
| Dynamic Sealing Face: | 4 ~ 16 µinCLA |
| Static Sealing Face: | 63 µinCLA max |
| Other Faces: | 125 µinCLA max |

Chamfers

| | |
|-----------------------------|--|
| Minimum $Z = C \times 0.60$ | where $C = (\text{ØD} - \text{Ød}) \div 2$ |
|-----------------------------|--|



Metric Sizes

| Part No. | ØD | Ød | H | ØW | L | ØE |
|--------------------|------------|-----------|-----------------|-----------|-----------------|------------|
| <i>Tolerances</i> | <i>H11</i> | <i>h9</i> | <i>+0.40 -0</i> | <i>f9</i> | <i>+0.10 -0</i> | <i>h11</i> |
| DM4026-15.5-T753 | 40.00 | 26.00 | 15.50 | 36.00 | 2.60 | 39.00 |
| DM4030-10-T753 | 40.00 | 30.00 | 10.00 | 36.50 | 5.00 | 39.00 |
| DM4531-15.5-T753 | 45.00 | 31.00 | 15.50 | 41.00 | 2.60 | 44.00 |
| DM5034-18.4-T753 | 50.00 | 34.00 | 18.40 | 45.40 | 6.35 | 48.50 |
| DM5034-20.5-T753 | 50.00 | 34.00 | 20.50 | 46.00 | 3.10 | 49.00 |
| DM5539-20.5-T753 | 55.00 | 39.00 | 20.50 | 51.00 | 3.10 | 54.00 |
| DM6044-18.4-T753 | 60.00 | 44.00 | 18.40 | 55.40 | 6.35 | 58.50 |
| DM6044-20.5-T753 | 60.00 | 44.00 | 20.50 | 56.00 | 3.10 | 58.50 |
| DM6347-18.4-T753 | 63.00 | 47.00 | 18.40 | 58.40 | 6.35 | 61.50 |
| DM6347-20.5-T753 | 63.00 | 47.00 | 20.50 | 59.00 | 3.10 | 62.00 |
| DM6549-20.5-T753 | 65.00 | 49.00 | 20.50 | 61.00 | 3.10 | 64.00 |
| DM7050-22.4-T753 | 70.00 | 50.00 | 22.40 | 64.20 | 6.35 | 68.30 |
| DM7054-20.5-T753 | 70.00 | 54.00 | 20.50 | 66.00 | 3.10 | 69.00 |
| DM7559-20.5-T753 | 75.00 | 59.00 | 20.50 | 71.00 | 3.10 | 74.00 |
| DM8060-22.4-T753 | 80.00 | 60.00 | 22.40 | 74.15 | 6.35 | 78.30 |
| DM8062-22.5-T753 | 80.00 | 62.00 | 22.50 | 76.00 | 3.60 | 79.00 |
| DM9070-22.4-T753 | 90.00 | 70.00 | 22.40 | 84.15 | 6.35 | 88.30 |
| DM9072-22.5-T753 | 90.00 | 72.00 | 22.50 | 86.00 | 3.60 | 89.00 |
| DM10075-22.4-T753 | 100.00 | 75.00 | 22.40 | 93.15 | 6.35 | 98.00 |
| DM10082-22.5-T753 | 100.00 | 82.00 | 22.50 | 96.00 | 3.60 | 99.00 |
| DM11085-22.4-T753 | 110.00 | 85.00 | 22.40 | 103.10 | 6.35 | 108.00 |
| DM11092-22.5-T753 | 110.00 | 92.00 | 22.50 | 106.00 | 3.60 | 109.00 |
| DM125100-25.4-T753 | 125.00 | 100.00 | 25.40 | 118.10 | 6.35 | 123.00 |
| DM125103-26.5-T753 | 125.00 | 103.00 | 26.50 | 121.00 | 5.10 | 124.00 |
| DM140118-26.5-T753 | 140.00 | 118.00 | 26.50 | 136.00 | 5.10 | 139.00 |
| DM150128-26.5-T753 | 150.00 | 128.00 | 26.50 | 146.00 | 5.10 | 149.00 |
| DM160138-26.5-T753 | 160.00 | 138.00 | 26.50 | 156.00 | 5.10 | 159.00 |
| DM165143-26.5-T753 | 165.00 | 143.00 | 26.50 | 161.00 | 5.10 | 164.00 |
| DM180158-26.5-T753 | 180.00 | 158.00 | 26.50 | 176.00 | 5.10 | 179.00 |
| DM200175-31.5-T753 | 200.00 | 175.00 | 31.50 | 196.00 | 6.60 | 199.00 |
| DM250220-35-T753 | 250.00 | 220.00 | 35.00 | 242.90 | 6.35 | 247.85 |