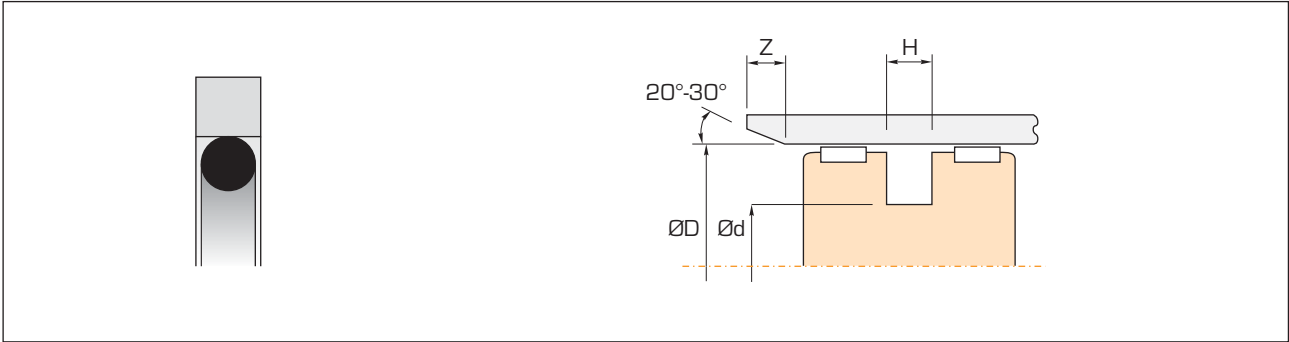


- Category**
- Seal, Double Acting Piston
- Construction**
- Gold, glass filled PTFE ring, energised with an NBR 70° O-ring
- Housing**
- Rectangular groove in one piece piston
- Duty**
- Medium
- Features**
- Low friction
  - Broad temperature range
  - Compact design
- Comments**
- Popular North American standard series
- Size Range**
- US Imperial
- Options**
- Alternative PTFE blends for the seal ring such as bronze or other Transeals PTFEs

**Metric Specifications**

<b>Operating Conditions</b>	Maximum Speed:	4.0 m/sec		
	Temperature Range:	-30°C ~ 100°C		
	Maximum Pressure:	260 bar		
<b>Surface Finish</b>	Dynamic Sealing Face:	0.1 ~ 0.4 µmRa		
	Static Sealing Face:	1.6 µmRa max		
	Other Faces:	3.2 µmRa max		
<b>Extrusion Gap (Diametral)</b>				
	<b>Pressure (bar)</b>	<b>100</b>	<b>170</b>	<b>260</b>
	Maximum gap (mm)	0.60	0.50	0.40
<b>Chamfer</b>				
Minimum Z = H				
<b>Imperial Specifications</b>				
<b>Operating Conditions</b>	Maximum Speed:	12.0 ft/sec		
	Temperature Range:	-22°F ~ 212°F		
	Maximum Pressure:	3750 psi		
<b>Surface Finish</b>	Dynamic Sealing Face:	4 ~ 16 µinCLA		
	Static Sealing Face:	63 µinCLA max		
	Other Faces:	125 µinCLA max		
<b>Extrusion Gap (Diametral)</b>				
	<b>Pressure (psi)</b>	<b>1500</b>	<b>2500</b>	<b>3750</b>
	Maximum gap (in)	0.025	0.020	0.015
<b>Chamfer</b>				
Minimum Z = H				



## Imperial Sizes

Part No.	ØD	Ød	H
<b>Tolerances</b>	<b>H9</b>	<b>f8</b>	<b>+0.008 -0</b>
PRI050SGN	0.500	0.240	0.083
PRI075SGN	0.750	0.490	0.083
PRI100SGN	1.000	0.740	0.083
PRI125SGN	1.250	0.990	0.083
PRI150SGN	1.500	1.240	0.083
PRI175SGN	1.750	1.360	0.122
PRI200SGN	2.000	1.606	0.130
PRI225SGN	2.250	1.856	0.130
PRI250SGN	2.500	2.106	0.130
PRI275SGN	2.750	2.356	0.130
PRI300SGN	3.000	2.606	0.130
PRI325SGN	3.250	2.856	0.130
PRI350SGN	3.500	3.106	0.130
PRI375SGN	3.750	3.356	0.130
PRI400SGN	4.000	3.606	0.130
PRI425SGN	4.250	3.856	0.130
PRI450SGN	4.500	4.106	0.130
PRI475SGN	4.750	4.356	0.130
PRI500SGN	5.000	4.606	0.130
PRI525SGN	5.250	4.856	0.130
PRI550SGN	5.500	5.106	0.130
PRI575SGN	5.750	5.232	0.160
PRI600SGN	6.000	5.482	0.160
PRI625SGN	6.250	5.732	0.160
PRI650SGN	6.500	5.982	0.160
PRI675SGN	6.750	6.232	0.160
PRI700SGN	7.000	6.482	0.160
PRI725SGN	7.250	6.732	0.160
PRI750SGN	7.500	6.982	0.160
PRI775SGN	7.750	7.232	0.160
PRI800SGN	8.000	7.482	0.160
PRI825SGN	8.250	7.732	0.160
PRI850SGN	8.500	7.982	0.160
PRI875SGN	8.750	8.232	0.160
PRI900SGN	9.000	8.462	0.160

## Imperial Sizes (cont'd)

Part No.	ØD	Ød	H
PRI925SGN	9.250	8.732	0.160
PRI950SGN	9.500	8.982	0.160
PRI975SGN	9.750	9.232	0.160
PRI1000SGN	10.000	9.482	0.160
PRI1025SGN	10.250	9.732	0.160
PRI1050SGN	10.500	9.982	0.160
PRI1075SGN	10.750	10.232	0.159
PRI1100SGN	11.000	10.482	0.160
PRI1150SGN	11.500	10.982	0.160
PRI1200SGN	12.000	11.482	0.160
PRI1300SGN	13.000	12.482	0.160