

## Category

- Bonded Washer

## Construction

- Cad plated mild steel washer with integral moulded NBR sealing section

## Housing

- Between the hexagonal flange of a hydraulic fitting and its mating surface

## Features

- Simple positive seal

## Size Range

- Metric and imperial

## Options

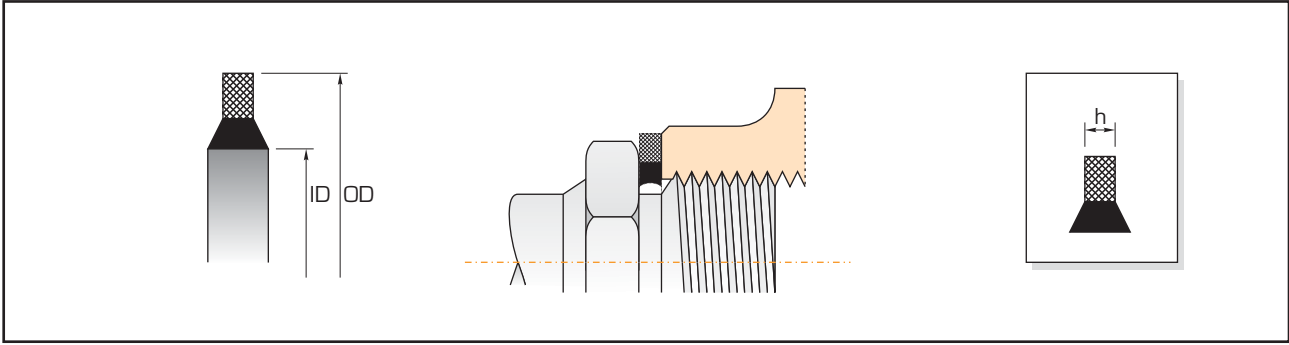
- Stainless steel with Viton and other material combinations are available
- Self centring designs

### Metric Sizes (German)

Part No.	Thread Size	Dimensions ID	Dimensions OD	Dimensions h	Minimum Burst Bar	Minimum Burst PSI
BM201	3.50	4.10	7.20	1.00	1,600	23,200
BM202	4.00	4.50	7.00	1.00	1,270	18,400
BM203	5.00	5.70	9.00	1.00	1,400	20,300
BM204	5.00	5.70	10.00	1.00	1,510	21,800
BM205	5.50	6.20	9.20	1.00	1,220	17,600
BM206	6.00	6.70	10.00	1.00	1,120	16,200
BM207	6.00	6.70	11.00	1.00	1,480	21,400
BM208	6.00	6.70	11.00	2.50	1,480	21,400
BM209	6.50	7.10	12.00	1.00	1,560	22,600
BM210	6.70	7.30	10.20	1.00	850	12,300
BM211	8.00	8.50	13.40	1.00	1,780	25,800
BM212	8.00	8.70	13.00	1.00	1,330	19,200
BM213	8.00	8.70	14.00	1.00	1,510	21,800
BM214	8.00	8.70	16.00	1.00	2,150	31,100
BM215	8.50	9.30	13.30	1.00	1,200	17,400
BM216	10.00	10.35	16.00	2.00	1,470	21,300
BM217	10.00	10.70	16.00	1.50	1,300	18,800
BM218	10.00	10.70	18.00	1.50	1,880	27,200
BM219	11.00	11.40	16.30	1.50	1,280	18,500
BM220	11.00	11.80	18.50	1.50	1,540	22,300
BM221	11.00	11.80	19.10	1.50	1,760	25,500
BM222	12.00	12.70	18.00	1.50	1,150	16,600
BM223	12.00	12.70	20.00	1.50	1,680	24,300
BM224	13.00	13.70	20.00	1.50	1,340	19,400
BM225	13.00	13.70	22.00	1.50	1,810	26,200
BM226	13.50	14.00	18.70	1.50	900	13,000
BM227	14.00	14.70	22.00	1.50	1,510	21,800
BM228	15.00	16.00	22.70	1.50	1,260	18,200

### Metric Sizes (cont'd)

Part No.	Thread Size	Dimensions ID	Dimensions OD	Dimensions h	Minimum Burst Bar	Minimum Burst PSI
BM229	16.00	16.70	24.00	1.50	1,370	19,800
BM230	17.00	17.40	24.00	1.50	1,150	16,600
BM231	17.50	18.00	24.70	1.50	1,070	15,500
BM232	18.00	18.70	26.00	1.50	1,260	18,200
BM233	20.00	20.70	28.00	1.50	1,140	16,500
BM234	21.00	21.50	28.70	2.50	1,080	15,600
BM235	22.00	22.50	28.00	1.50	760	11,000
BM236	22.00	22.70	30.00	2.00	1,080	15,600
BM237	22.00	22.70	30.00	3.00	1,080	15,600
BM238	24.00	24.70	32.00	2.00	1,000	14,500
BM240	27.00	27.20	36.00	2.00	1,130	16,300
BM242	30.00	31.00	39.00	2.00	870	12,600
BM243	33.00	33.70	42.00	2.00	840	12,100
BM244	33.00	34.30	43.00	2.00	870	12,600
BM245	36.00	36.70	46.00	2.00	890	12,900
BM246	39.00	40.00	51.00	2.50	1,030	14,900
BM247	42.00	42.70	53.00	3.00	930	13,400
BM248	48.00	48.70	59.00	3.00	790	11,400
BM249	51.00	52.00	60.00	3.00	540	7,800
BM250	52.00	53.30	64.50	3.00	710	10,200
BM251	60.00	60.70	73.00	3.00	780	11,300
BM252	68.00	68.60	79.50	3.50	510	7,300
BM253	75.00	76.08	90.30	3.38	700	10,100
BM254	88.00	89.09	101.48	3.25	510	7,300
BM255	125.00	127.00	143.67	5.00	420	6,000



## Imperial Sizes

Part No.	Thread Size	BSP	Dimensions			Minimum Burst	
			ID	OD	h	Bar	PSI
B001	6BA		0.120	0.250	0.048	2,150	31,100
B002	4BA		0.162	0.286	0.048	1,570	22,700
B003	2BA		0.205	0.330	0.048	1,360	19,700
B004	1/4		0.270	0.520	0.048	2,430	35,200
B005	1/4		0.275	0.525	0.048	1,680	24,300
B006	5/16		0.327	0.525	0.048	1,680	24,300
B007	5/16		0.340	0.560	0.048	1,750	25,300
B020	3/8	1/8	0.408	0.625	0.080	1,480	21,400
B008	0.400		0.443	0.723	0.080	1,950	28,200
B009	7/16		0.460	0.750	0.080	1,890	27,400
B021	1/2	1/4	0.541	0.810	0.080	1,540	22,300
B010	9/16		0.585	0.875	0.080	1,560	22,600
B022	0.600		0.623	0.875	0.080	1,290	18,700
B011	5/8		0.650	1.000	0.080	1,560	22,600
B023		3/8	0.680	0.937	0.080	1,230	17,800
B012	11/16		0.715	1.000	0.092	1,310	18,900
B024	3/4		0.775	1.059	0.092	1,230	17,800
B025	13/16	1/2	0.848	1.125	0.092	1,120	16,200
B026	7/8	5/8	0.925	1.250	0.092	1,240	17,900
B013	15/16		0.955	1.310	0.092	1,275	18,400

## Imperial Sizes (cont'd)

Part No.	Thread Size	BSP	Dimensions			Minimum Burst	
			ID	OD	h	Bar	PSI
B027	1	3/4	1.065	1.375	0.092	1,050	15,200
B028	1.1/16		1.095	1.520	0.092	1,210	17,500
B014	1.1/8		1.155	1.440	0.092	880	12,700
B029	1.3/16	7/8	1.213	1.500	0.092	860	12,400
B015	1.1/4		1.285	1.630	0.128	775	11,200
B030	1.5/16	1	1.334	1.685	0.128	780	11,300
B031	1.5/16	1	1.334	1.685	0.092	780	11,300
B016	1.3/8		1.415	1.750	0.128	680	9,800
B017	1.1/2		1.534	1.880	0.128	660	9,500
B032	1.5/8	1.1/4	1.690	2.062	0.128	690	10,000
B018	1.3/4		1.785	2.250	0.128	870	12,600
B033	1.7/8	1.1/2	1.907	2.307	0.128	690	10,000
B019	2		2.035	2.500	0.128	780	11,300
B034	2.1/8	1.3/4	2.161	2.750	0.128	950	13,700
B035	2.1/4		2.285	2.770	0.128	740	10,700
B036		2	2.385	2.875	0.128	720	10,400
B037	2.1/2		2.535	3.060	0.128	750	10,800
B038		2.1/4	2.625	3.130	0.128	670	9,700
B039		2.1/2	2.995	3.550	0.128	680	9,800