

Category

- Buffer Seal, Rod

Construction

- Filled PTFE slipper ring with antiextrusion ring and NBR energiser

Housing

- Rectangular groove in one piece gland

Duty

- Buffer

Features

- Buffer seal with controlled leakage to eliminate inter-seal pressure traps
- Interchangeable with many other buffer seal designs

Comments

- Working in tandem with a main seal, buffer seals are intended to protect the main seal from pressure spikes
- The buffer seal is installed in a separate groove, on the pressure side of the main seal
- Buffer seals are designed for controlled leakage and cannot be used as a standalone rod seal

Size Range

- Metric JIS

Metric Specifications

Operating Conditions

Maximum Speed:	1.5 m/sec
Temperature Range:	-50°C ~ 120°C
Maximum Pressure:	350 bar

Surface Finish

Dynamic Sealing Face:	0.1 ~ 0.4 µmRa
Static Sealing Face:	1.6 µmRa max
Other Faces:	3.2 µmRa max

Chamfer

Minimum Z = H

Imperial Specifications

Operating Conditions

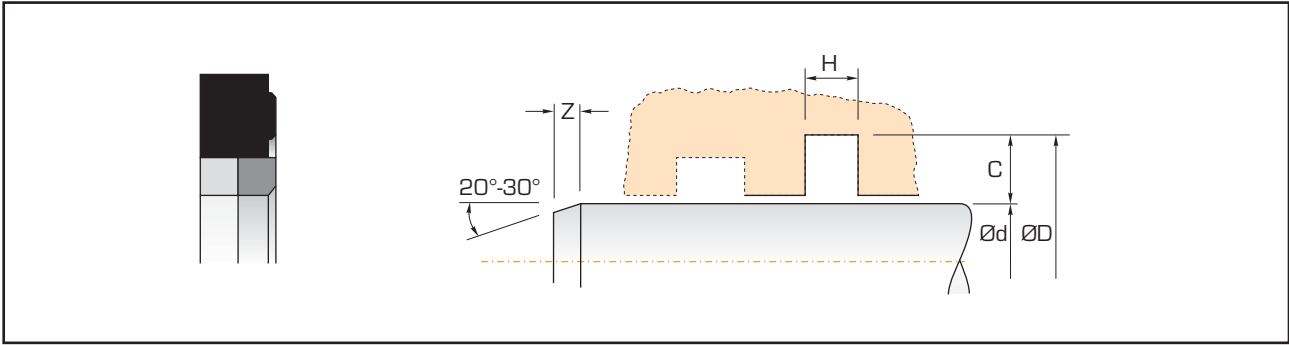
Maximum Speed:	5.0 ft/sec
Temperature Range:	-60°F ~ 250°F
Maximum Pressure:	5000 psi

Surface Finish

Dynamic Sealing Face:	4 ~ 16 µinCLA
Static Sealing Face:	63 µinCLA max
Other Faces:	125 µinCLA max

Chamfer

Minimum Z = H



Metric Sizes

Part No.	Ød	ØD	H
<i>Tolerances</i>	<i>f8</i>	<i>+0.20 -0</i>	<i>+0.20 -0</i>
HBTZ40	40.00	55.50	6.30
HBTZ45	45.00	60.50	6.30
HBTZ50	50.00	65.50	6.30
HBTZ55	55.00	70.50	6.30
HBTZ60	60.00	75.50	6.30
HBTZ65	65.00	80.50	6.30
HBTZ70	70.00	85.50	6.30
HBTZ75	75.00	90.50	6.30
HBTZ80	80.00	95.50	6.30
HBTZ85	85.00	100.50	6.30
HBTZ90	90.00	105.50	6.30
HBTZ95	95.00	110.50	6.30
HBTZ100	100.00	115.50	6.30
HBTZ105	105.00	120.50	6.30
HBTZ110	110.00	125.50	6.30
HBTZ115	115.00	130.50	6.30
HBTZ120	120.00	135.50	6.30