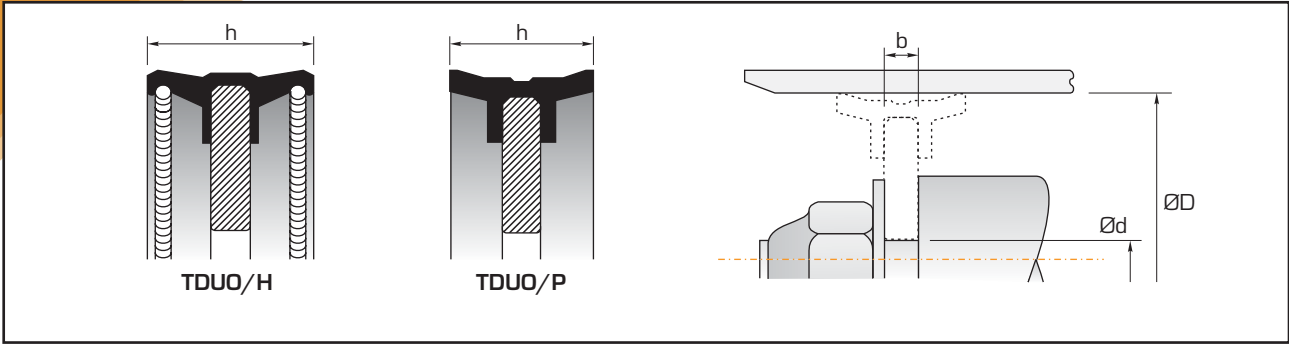




TDUO/H & TDUO/P



Category

- Seal and piston assembly

Construction

- Steel piston disc with moulded-on NBR sealing lips
- H series has a wire spring energiser

Features

- Integrated "all in one" piston and seal design

Comments

- H series for hydraulic service
- P series for pneumatic service

Size Range

- Metric

TDUO/H Series

| Part No. | ØD | Ød | h | b |
|------------------|--------|-------|-------|------|
| TDUO-25-8-22-H | 25.00 | 8.00 | 22.00 | 3.00 |
| TDUO-26-8-22-H | 26.00 | 8.00 | 22.00 | 3.00 |
| TDUO-35-8-26-H | 35.00 | 8.00 | 26.00 | 3.00 |
| TDUO-40-10-25-H | 40.00 | 10.00 | 25.00 | 3.00 |
| TDUO-40-14-23-H | 40.00 | 14.00 | 23.00 | 5.00 |
| TDUO-45-10-25-H | 45.00 | 10.00 | 25.00 | 4.00 |
| TDUO-50-10-25-H | 50.00 | 10.00 | 25.00 | 4.00 |
| TDUO-50-16-23-H | 50.00 | 16.00 | 23.00 | 5.00 |
| TDUO-55-10-25-H | 55.00 | 10.00 | 25.00 | 4.00 |
| TDUO-60-12-26-H | 60.00 | 12.00 | 26.00 | 4.00 |
| TDUO-62-41-30-H | 62.00 | 41.00 | 30.00 | 5.00 |
| TDUO-63-12-25-H | 63.00 | 12.00 | 25.00 | 4.00 |
| TDUO-65-12-25-H | 65.00 | 12.00 | 25.00 | 4.00 |
| TDUO-70-12-30-H | 70.00 | 12.00 | 30.00 | 5.00 |
| TDUO-75-12-30-H | 75.00 | 12.00 | 30.00 | 5.00 |
| TDUO-80-12-30-H | 80.00 | 12.00 | 30.00 | 5.00 |
| TDUO-85-12-35-H | 85.00 | 12.00 | 35.00 | 6.00 |
| TDUO-90-12-35-H | 90.00 | 12.00 | 35.00 | 6.00 |
| TDUO-100-12-35-H | 100.00 | 12.00 | 35.00 | 6.00 |
| TDUO-110-12-40-H | 110.00 | 12.00 | 40.00 | 6.00 |
| TDUO-120-20-40-H | 120.00 | 20.00 | 40.00 | 8.00 |
| TDUO-125-20-40-H | 125.00 | 20.00 | 40.00 | 8.00 |

TDUO/H Series (cont'd)

| Part No. | ØD | Ød | h | b |
|------------------|--------|-------|-------|-------|
| TDUO-130-20-40-H | 130.00 | 20.00 | 40.00 | 8.00 |
| TDUO-145-20-45-H | 145.00 | 20.00 | 45.00 | 10.00 |
| TDUO-150-20-40-H | 150.00 | 20.00 | 40.00 | 10.00 |
| TDUO-160-20-40-H | 160.00 | 20.00 | 40.00 | 10.00 |
| TDUO-175-20-40-H | 175.00 | 20.00 | 40.00 | 10.00 |
| TDUO-200-20-40-H | 200.00 | 20.00 | 40.00 | 10.00 |
| TDUO-230-30-40-H | 230.00 | 30.00 | 40.00 | 12.00 |
| TDUO-300-60-40-H | 300.00 | 60.00 | 40.00 | 12.00 |

TDUO/P Series

| Part No. | ØD | Ød | h | b |
|------------------|--------|-------|-------|-------|
| TDUO-25-8-12-P | 25.00 | 8.00 | 12.00 | 3.00 |
| TDUO-32-8-15-P | 32.00 | 8.00 | 15.00 | 3.00 |
| TDUO-40-10-18-P | 40.00 | 10.00 | 18.00 | 4.00 |
| TDUO-50-10-18-P | 50.00 | 10.00 | 18.00 | 4.00 |
| TDUO-63-12-22-P | 63.00 | 12.00 | 22.00 | 5.00 |
| TDUO-70-12-22-P | 70.00 | 12.00 | 22.00 | 5.00 |
| TDUO-80-16-25-P | 80.00 | 16.00 | 25.00 | 5.00 |
| TDUO-100-16-25-P | 100.00 | 16.00 | 25.00 | 6.00 |
| TDUO-125-20-30-P | 125.00 | 20.00 | 30.00 | 8.00 |
| TDUO-140-20-30-P | 140.00 | 20.00 | 30.00 | 10.00 |

