

Category

- Rod Wiper, Metal Case

Construction

- Polyurethane wiping lip bonded into steel case

Housing

- Open groove in one piece gland

Duty

- Medium to heavy

Features

- Simple housing
- Positive press fit into gland
- Raised lip sheds dirt away from rod

Comments

- A good choice for new designs
- Reliable performance and simple housing

Size Range

- Metric and imperial

Metric Specifications

Operating Conditions

Maximum Speed:	1.0 m/sec
Temperature Range:	-40°C ~ 100°C

Surface Finish

Dynamic Sealing Face:	0.1 ~ 0.4 µmRa
Static Sealing Face:	1.6 µmRa max
Other Faces:	3.2 µmRa max

Chamfers

Rod diameter Ød < 19mm	Min Z = 0.5mm
Rod diameter Ød > 19mm	Min Z = 1.0mm

Imperial Specifications

Operating Conditions

Maximum Speed:	3.0 ft/sec
Temperature Range:	-40°F ~ 212°F

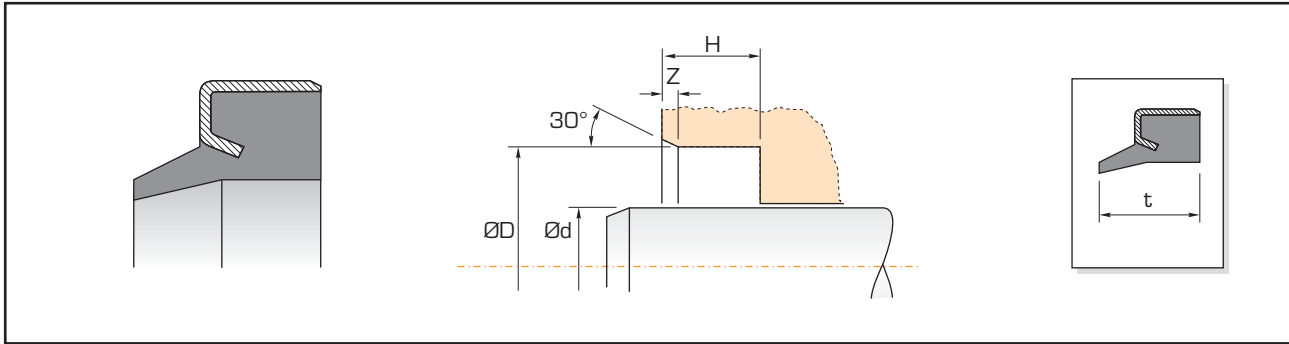
Surface Finish

Dynamic Sealing Face:	4 ~ 16 µinCLA
Static Sealing Face:	63 µinCLA max
Other Faces:	125 µinCLA max

Chamfers

Rod diameter Ød < 0.75"	Min Z = 0.020"
Rod diameter Ød > 0.75"	Min Z = 0.040"

MCW/U – Raised Lip



Metric Sizes

Part No.	Ød	ØD	H	t
<i>Tolerances</i>		<i>H8</i>	<i>+0.50-0</i>	
MCW1525-5-7-U	15.00	25.00	5.00	7.00
MCW1622-3-4-U	16.00	22.00	3.00	4.00
MCW1828-5-7-U	18.00	28.00	5.00	7.00
MCW2030-5-7-U	20.00	30.00	5.00	7.00
MCW2535-5-8-U	25.00	35.00	5.00	8.00
MCW2537-6-9-U	25.00	37.00	6.00	9.00
MCW2838-5-8-U	28.00	38.00	5.00	8.00
MCW3040-5-8-U	30.00	40.00	5.00	8.00
MCW3042-6-9-U	30.00	42.00	6.00	9.00
MCW3242-5-8-U	32.00	42.00	5.00	8.00
MCW3545-7-10-U	35.00	45.00	7.00	10.00
MCW3547-7-10-U	35.00	47.00	7.00	10.00
MCW3848-7-10-U	38.00	48.00	7.00	10.00
MCW4050-7-10-U	40.00	50.00	7.00	10.00
MCW4052-7-10-U	40.00	52.00	7.00	10.00
MCW4555-7-10-U	45.00	55.00	7.00	10.00
MCW4557-7-10-U	45.00	57.00	7.00	10.00
MCW5060-7-10-U	50.00	60.00	7.00	10.00
MCW5062-7-10-U	50.00	62.00	7.00	10.00
MCW5565-7-10-U	55.00	65.00	7.00	10.00
MCW5569-8-11-U	55.00	69.00	8.00	11.00
MCW6070-7-10-U	60.00	70.00	7.00	10.00
MCW6074-8-11-U	60.00	74.00	8.00	11.00
MCW6575-7-10-U	65.00	75.00	7.00	10.00
MCW6579-8-11-U	65.00	79.00	8.00	11.00
MCW7080-7-10-U	70.00	80.00	7.00	10.00
MCW7084-8-11-U	70.00	84.00	8.00	11.00
MCW7585-7-10-U	75.00	85.00	7.00	10.00
MCW7589-8-11-U	75.00	89.00	8.00	11.00
MCW8090-7-10-U	80.00	90.00	7.00	10.00
MCW8094-8-11-U	80.00	94.00	8.00	11.00
MCW8595-7-10-U	85.00	95.00	7.00	10.00
MCW8599-8-11-U	85.00	99.00	8.00	11.00
MCW90100-7-10-U	90.00	100.00	7.00	10.00
MCW90104-8-11-U	90.00	104.00	8.00	11.00

Metric Sizes (cont'd)

Part No.	Ød	ØD	H	t
MCW95109-8-11-U	95.00	109.00	8.00	11.00
MCW100110-7-10-U	100.00	110.00	7.00	10.00
MCW100114-8-11-U	100.00	114.00	8.00	11.00
MCW105121-9-12-U	105.00	121.00	9.00	12.00
MCW110120-7-10-U	110.00	120.00	7.00	10.00
MCW110126-9-12-U	110.00	126.00	9.00	12.00
MCW115130-8-10-U	115.00	130.00	8.00	10.00
MCW115131-9-12-U	115.00	131.00	9.00	12.00
MCW115135-8-10-U	115.00	135.00	8.00	10.00
MCW120130-7-10-U	120.00	130.00	7.00	10.00
MCW120136-9-12-U	120.00	136.00	9.00	12.00
MCW130146-9-12-U	130.00	146.00	9.00	12.00
MCW140160-10-14-U	140.00	160.00	10.00	14.00
MCW150170-10-14-U	150.00	170.00	10.00	14.00
MCW160180-10-14-U	160.00	180.00	10.00	14.00

Imperial Sizes

Part No.	Ød	ØD	H	t
<i>Tolerances</i>		<i>H8</i>	<i>+0.020-0</i>	
MCW075112-018-027-U	0.750	1.125	0.187	0.281
MCW087125-018-027-N	0.875	1.250	0.187	0.281
MCW100137-018-027-U	1.000	1.375	0.187	0.281
MCW112150-018-027-U	1.125	1.500	0.187	0.281
MCW125162-018-027-U	1.250	1.625	0.187	0.281
MCW150187-018-027-U	1.500	1.875	0.187	0.281
MCW175212-018-027-U	1.750	2.125	0.187	0.281
MCW200237-018-027-U	2.000	2.375	0.187	0.281
MCW225262-018-027-U	2.250	2.625	0.187	0.281
MCW250287-018-027-U	2.500	2.875	0.187	0.281
MCW275312-018-027-U	2.750	3.125	0.187	0.281
MCW300337-018-027-U	3.000	3.375	0.187	0.281
MCW400450-025-037-U	4.000	4.500	0.250	0.375

