

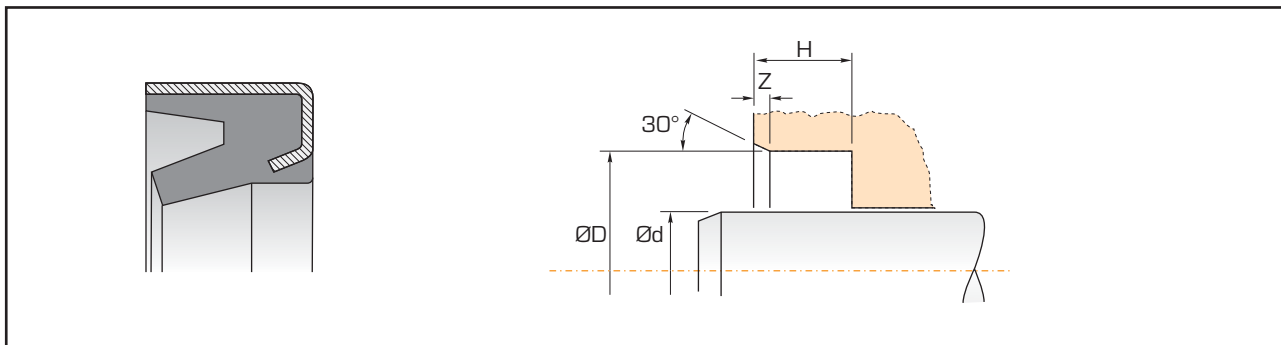
- Category**
- Rod Wiper, Metal Case
- Construction**
- Polyurethane wiping lip bonded into steel case
- Housing**
- Open groove in one piece gland
- Duty**
- Medium to heavy
- Features**
- Simple housing
 - Positive press fit into gland
 - OEM sizes available
- Comments**
- A good choice for new designs
 - Reliable performance and simple housing
- Size Range**
- Metric and imperial

Metric Specifications

Operating Conditions	Maximum Speed:	1.0 m/sec
	Temperature Range:	-40°C ~ 100°C
Surface Finish	Dynamic Sealing Face:	0.1 ~ 0.4 µmRa
	Static Sealing Face:	1.6 µmRa max
	Other Faces:	3.2 µmRa max
Chamfers	Minimum Z = 1 mm	

Imperial Specifications

Operating Conditions	Maximum Speed:	3.0 ft/sec
	Temperature Range:	-40°F ~ 212°F
Surface Finish	Dynamic Sealing Face:	4 ~ 16 µinCLA
	Static Sealing Face:	63 µinCLA max
	Other Faces:	125 µinCLA max
Chamfers	Minimum Z = 0.040"	

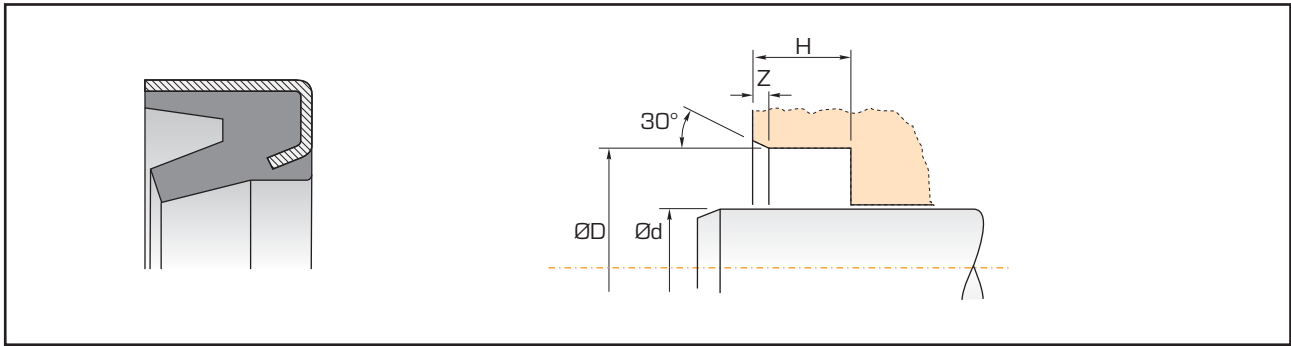


Metric Sizes

Part No.	Ød	ØD	H
<i>Tolerances</i>		<i>H8</i>	<i>+0.50 -0</i>
MCW2535-4-U	25.00	35.00	4.00
MCW3040-4-U	30.00	40.00	4.00
MCW3545-4-U	35.00	45.00	4.00
MCW4050-4-U	40.00	50.00	4.00
MCW4050-5-U	40.00	50.00	5.00
MCW4055-5-U	40.00	55.00	5.00
MCW4555-4-U	45.00	55.00	4.00
MCW4560-5-U	45.00	60.00	5.00
MCW5060-4-U	50.00	60.00	4.00
MCW5060-5-U	50.00	60.00	5.00
MCW5065-5-U	50.00	65.00	5.00
MCW5570-5-U	55.00	70.00	5.00
MCW5670-7.5-U	56.00	70.00	7.50
MCW6073-8-U	60.00	73.00	8.00
MCW6075-4-U	60.00	75.00	4.00
MCW6075-5-U	60.00	75.00	5.00
MCW6075-8-U	60.00	75.00	8.00
MCW6580-5-U	65.00	80.00	5.00
MCW6580-8-U	65.00	80.00	8.00
MCW7083-8-U	70.00	83.00	8.00
MCW7085-5-U	70.00	85.00	5.00
MCW7085-6-U	70.00	85.00	6.00
MCW7085-8-U	70.00	85.00	8.00
MCW7186-5-U	71.00	86.00	5.00
MCW7590-6-U	75.00	90.00	6.00
MCW7590-8-U	75.00	90.00	8.00
MCW8093-8-U	80.00	93.00	8.00
MCW8095-5-U	80.00	95.00	5.00
MCW8095-6-U	80.00	95.00	6.00
MCW80100-6-U	80.00	100.00	6.00
MCW80100-10-U	80.00	100.00	10.00
MCW85100-6-U	85.00	100.00	6.00
MCW85100-8-U	85.00	100.00	8.00
MCW90105-6-U	90.00	105.00	6.00
MCW90105-8-U	90.00	105.00	8.00

Metric Sizes (cont'd)

Part No.	Ød	ØD	H
MCW90110-6-U	90.00	110.00	6.00
MCW90110-10-U	90.00	110.00	10.00
MCW95110-6-U	95.00	110.00	6.00
MCW95110-8-U	95.00	110.00	8.00
MCW100115-6-U	100.00	115.00	6.00
MCW100115-7-U	100.00	115.00	7.00
MCW100118-7.5-U	100.00	118.00	7.50
MCW100120-10-U	100.00	120.00	10.00
MCW105120-8-U	105.00	120.00	8.00
MCW110125-8-U	110.00	125.00	8.00
MCW110125-9-U	110.00	125.00	9.00
MCW110130-7.5-U	110.00	130.00	7.50
MCW110130-8-U	110.00	130.00	8.00
MCW110130-10-U	110.00	130.00	10.00
MCW120135-8-U	120.00	135.00	8.00
MCW120140-7.5-U	120.00	140.00	7.50
MCW120140-8-U	120.00	140.00	8.00
MCW120140-10-U	120.00	140.00	10.00

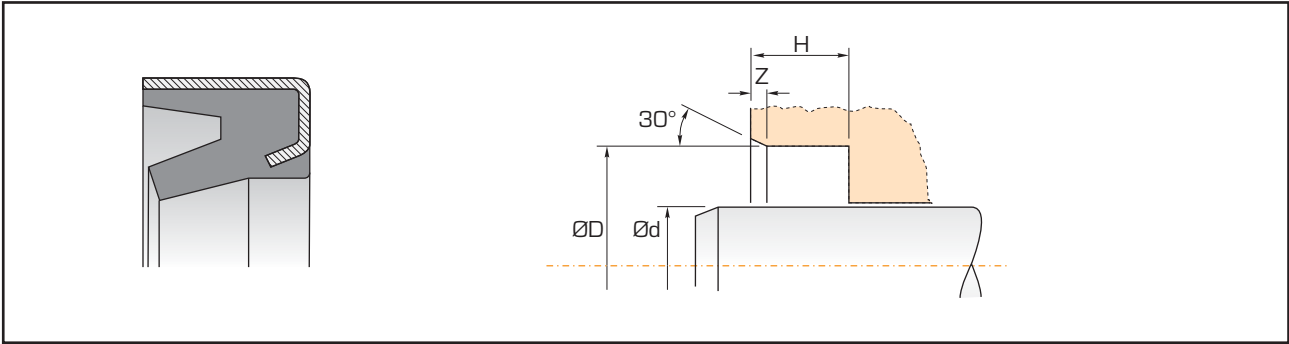


Imperial Sizes

Part No.	Ød	ØD	H
<i>Tolerances</i>		<i>H8</i>	<i>+0.020 -0</i>
J0625	0.625	1.125	0.312
MCW068100-018-U	0.687	1.000	0.187
MCW075100-012-U	0.750	1.000	0.125
MCW075125-018-U	0.750	1.250	0.187
MCW075125-025-U	0.750	1.250	0.250
J0750	0.750	1.250	0.312
MCW087131-025-U	0.875	1.312	0.250
J0875	0.875	1.375	0.312
MCW100125-012-U	1.000	1.250	0.125
MCW100137-018-U	1.000	1.375	0.187
J1000	1.000	1.500	0.312
J1125	1.125	1.625	0.312
MCW125150-012-U	1.250	1.500	0.125
MCW125168-018-U	1.250	1.687	0.187
J1250	1.250	1.750	0.312
MCW125187-025-U	1.250	1.875	0.250
J1375	1.375	1.875	0.312
MCW150187-018-U	1.500	1.870	0.187
MCW150187-025-U	1.500	1.875	0.250
MCW150200-025-U	1.500	2.000	0.250
J1500	1.500	2.000	0.312
MCW150212-031-U	1.500	2.125	0.312
MCW150225-037-U	1.500	2.250	0.375
MCW162200-018-U	1.625	2.000	0.187
MCW162212-025-U	1.625	2.125	0.250
J1625	1.625	2.125	0.312
MCW175212-018-U	1.750	2.125	0.187
J1750	1.750	2.250	0.312
MCW175243-037-U	1.750	2.437	0.375
MCW175250-037-U	1.750	2.500	0.375
J1875	1.875	2.375	0.312
MCW200237-018-U	2.000	2.375	0.187
MCW200250-025-U	2.000	2.500	0.250
J2000	2.000	2.500	0.312
MCW200262-025-U	2.000	2.625	0.250

Imperial Sizes (cont'd)

Part No.	Ød	ØD	H
MCW200268-037-U	2.000	2.687	0.375
MCW200275-037-U	2.000	2.750	0.375
MCW212250-018-U	2.125	2.500	0.187
MCW212262-031-U	2.125	2.625	0.312
MCW225262-018-U	2.250	2.625	0.187
MCW225262-025-U	2.250	2.625	0.250
MCW225275-025-U	2.250	2.750	0.250
J2250	2.250	2.750	0.312
MCW225287-025-U	2.250	2.875	0.250
MCW225300-037-U	2.250	3.000	0.375
MCW225325-050-U	2.250	3.250	0.500
J2375	2.375	2.875	0.312
MCW237312-037-U	2.375	3.125	0.375
MCW250300-025-U	2.500	3.000	0.250
J2500	2.500	3.000	0.312
MCW250312-025-U	2.500	3.125	0.250
MCW250318-037-U	2.500	3.187	0.375
MCW250325-037-U	2.500	3.250	0.375
MCW250356-043-U	2.500	3.562	0.437
MCW262312-025-U	2.625	3.125	0.250
J2625	2.625	3.125	0.312
J2750	2.750	3.250	0.312
MCW275350-037-U	2.750	3.500	0.375
MCW275375-050-U	2.750	3.750	0.500
J3000	3.000	3.500	0.312
MCW300375-037-U	3.000	3.750	0.375
MCW300400-050-U	3.000	4.000	0.500
MCW325375-031-U	3.250	3.750	0.312
J3250	3.250	3.875	0.312
MCW325400-025-U	3.250	4.000	0.250
MCW325425-050-U	3.250	4.250	0.500
MCW350400-031-U	3.500	4.000	0.312
J3500	3.500	4.125	0.312
MCW350425-031-U	3.500	4.250	0.312
MCW350450-050-U	3.500	4.500	0.500
MCW375425-031-U	3.750	4.250	0.312



Imperial Sizes (cont'd)

Part No.	Ød	ØD	H
<i>Tolerances</i>		<i>H8</i>	<i>+0.020 -0</i>
J3750	3.750	4.375	0.312
MCW375450-031-U	3.750	4.500	0.312
MCW375475-050-U	3.750	4.750	0.500
J4000	4.000	4.625	0.312
MCW400475-031-U	4.000	4.750	0.312
MCW400500-050-U	4.000	5.000	0.500
J4250	4.250	4.875	0.312
J4500	4.500	5.125	0.312
MCW450525-031-U	4.500	5.250	0.312
MCW450550-050-U	4.500	5.500	0.500
J4750	4.750	5.375	0.312
MCW475575-050-U	4.750	5.750	0.500
J5000	5.000	5.625	0.312
MCW500575-031-U	5.000	5.750	0.312
MCW500600-050-U	5.000	6.000	0.500
MCW525575-037-U	5.250	5.750	0.375
J5500	5.500	6.125	0.375
J6000	6.000	6.625	0.375
MCW700775-031-U	7.000	7.750	0.312