

Category

- Seal, Single Acting Piston

Construction

- NBR asymmetric piston U-ring with knifed sealing lips

Housing

- Rectangular groove in one piece piston

Duty

- Light

Comments

- Homogeneous NBR U-ring suitable for pneumatic or light duty hydraulic applications
- Manufactured diametrically undersize for positive seating on the piston

Size Range

- Metric

Metric Specifications

Operating Conditions

Maximum Speed:	0.5 m/sec
Temperature Range:	-40°C ~ 100°C

Surface Finish

Dynamic Sealing Face:	0.1 ~ 0.4 µmRa
Static Sealing Face:	1.6 µmRa max
Other Faces:	3.2 µmRa max

Chamfers

$$\text{Minimum } Z = C \times 0.85 \quad \text{where } C = (\text{ØD} - \text{Ød}) \div 2$$

Imperial Specifications

Operating Conditions

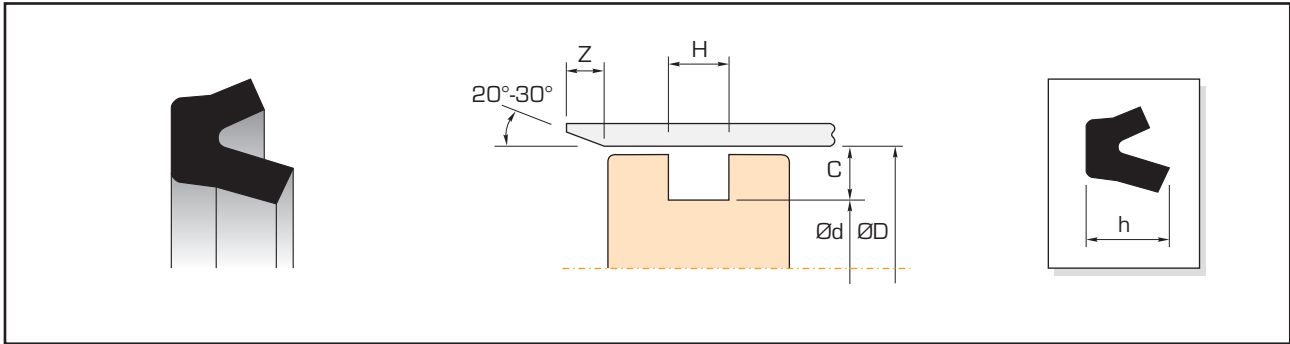
Maximum Speed:	1.5 ft/sec
Temperature Range:	-40°F ~ 180°F

Surface Finish

Dynamic Sealing Face:	4 ~ 16 µinCLA
Static Sealing Face:	63 µinCLA max
Other Faces:	125 µinCLA max

Chamfers

$$\text{Minimum } Z = C \times 0.85 \quad \text{where } C = (\text{ØD} - \text{Ød}) \div 2$$



Metric Sizes

Part No.	ØD	Ød	H	h
<i>Tolerances</i>	<i>H8</i>	<i>h9</i>	<i>+0.2 -0</i>	
DEM126X4N8	12.00	6.00	4.50	4.00
DEM168X5-5N8	16.00	8.00	6.00	5.50
DEM2010X7N8	20.00	10.00	7.50	7.00
DEM2012X5-5N8	20.00	12.00	6.00	5.50
DEM2517X5-5N8	25.00	17.00	6.00	5.50
DEM3222X7N8	32.00	22.00	7.50	7.00
DEM3525X7N8	35.00	25.00	7.50	7.00
DEM4030X7N8	40.00	30.00	7.50	7.00
DEM4535X7N8	45.00	35.00	7.50	7.00
DEM5040X7N8	50.00	40.00	7.50	7.00
DEM5545X7N8	55.00	45.00	7.50	7.00
DEM6050X7N8	60.00	50.00	7.50	7.00
DEM6252X7N8	62.00	52.00	7.50	7.00
DEM6353X7N8	63.00	53.00	7.50	7.00
DEM7058X8-5N8	70.00	58.00	9.50	8.50
DEM7565X7-5N8	75.00	65.00	8.00	7.50
DEM8065X8-7N8	80.00	65.00	9.50	8.70

Metric Sizes (cont'd)

Part No.	ØD	Ød	H	h
DEM8068X8-5N8	80.00	68.00	9.50	8.50
DEM8573X8-5N8	85.00	73.00	9.50	8.50
DEM10085X8-7N8	100.00	85.00	9.50	8.70
DEM10088X8-5N8	100.00	88.00	9.50	8.50
DEM10090X4-25N8	100.00	90.00	4.50	4.25
DEM120105X10N8	120.00	105.00	11.00	10.00
DEM125105X12N8	125.00	105.00	13.00	12.00
DEM125105X16N8	125.00	105.00	17.00	16.00
DEM125110X10N8	125.00	110.00	11.00	10.00
DEM140125X10N8	140.00	125.00	11.00	10.00
DEM150135X10N8	150.00	135.00	11.00	10.00
DEM160140X14N8	160.00	140.00	15.00	14.00
DEM180160X14N8	180.00	160.00	15.00	14.00
DEM200180X14N8	200.00	180.00	15.00	14.00
DEM220200X14N8	220.00	200.00	15.00	14.00
DEM250230X14N8	250.00	230.00	15.00	14.00
DEM280260X14N8	280.00	260.00	15.00	14.00
DEM300280X15N8	300.00	280.00	16.00	15.00