

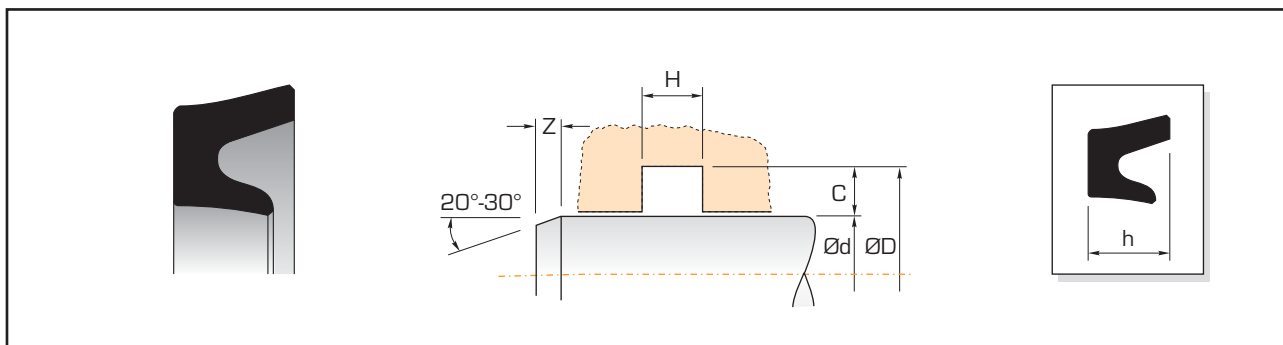
- Category**
- Seal, Single Acting Rod
- Construction**
- NBR asymmetric rod U-ring
- Housing**
- Rectangular groove in one piece gland
- Duty**
- Light
- Comments**
- Homogeneous NBR U-ring suitable for pneumatic or light duty hydraulic applications
- Size Range**
- Imperial

Metric Specifications

| | | |
|-----------------------------|---|----------------|
| Operating Conditions | Maximum Speed: | 0.5 m/sec |
| | Temperature Range: | -40°C ~ 80°C |
| Surface Finish | Dynamic Sealing Face: | 0.1 ~ 0.4 µmRa |
| | Static Sealing Face: | 1.6 µmRa max |
| | Other Faces: | 3.2 µmRa max |
| Chamfers | Minimum Z = C x 0.85 where C = (ØD - Ød) ÷ 2 | |

Imperial Specifications

| | | |
|-----------------------------|---|----------------|
| Operating Conditions | Maximum Speed: | 1.5 ft/sec |
| | Temperature Range: | -40 ~ 180°F |
| Surface Finish | Dynamic Sealing Face: | 4 ~ 16 µinCLA |
| | Static Sealing Face: | 63 µinCLA max |
| | Other Faces: | 125 µinCLA max |
| Chamfers | Minimum Z = C x 0.85 where C = (ØD - Ød) ÷ 2 | |



Imperial Sizes

| Part No. | Ød | ØD | H | h |
|-------------------|-----------|-------------|------------------|-------|
| <i>Tolerances</i> | <i>f9</i> | <i>JS11</i> | <i>+0.030 -0</i> | |
| DI012 | 0.125 | 0.343 | 0.219 | 0.156 |
| DI018 | 0.187 | 0.437 | 0.219 | 0.156 |
| DI025 | 0.250 | 0.500 | 0.219 | 0.156 |
| DI031 | 0.312 | 0.562 | 0.219 | 0.156 |
| DI037 | 0.375 | 0.650 | 0.219 | 0.156 |
| DI043 | 0.437 | 0.750 | 0.219 | 0.156 |
| DI050 | 0.500 | 0.828 | 0.281 | 0.200 |
| DI056 | 0.562 | 0.812 | 0.250 | 0.187 |
| DI062 | 0.625 | 0.875 | 0.250 | 0.187 |
| DI068 | 0.687 | 0.937 | 0.250 | 0.180 |
| DI075 | 0.750 | 1.000 | 0.250 | 0.187 |
| DI081 | 0.812 | 1.125 | 0.250 | 0.187 |
| DI087 | 0.875 | 1.250 | 0.250 | 0.187 |
| DI093 | 0.937 | 1.437 | 0.312 | 0.250 |
| DI100 | 1.000 | 1.500 | 0.312 | 0.250 |
| DI106 | 1.062 | 1.437 | 0.312 | 0.250 |
| DI112 | 1.125 | 1.625 | 0.375 | 0.312 |
| DI118 | 1.187 | 1.500 | 0.312 | 0.250 |
| DI125 | 1.250 | 1.750 | 0.312 | 0.250 |
| DI131 | 1.312 | 1.600 | 0.250 | 0.180 |
| DI137 | 1.375 | 2.000 | 0.375 | 0.312 |
| DI143 | 1.437 | 2.000 | 0.375 | 0.312 |
| DI150 | 1.500 | 2.000 | 0.437 | 0.375 |
| DI156 | 1.562 | 2.203 | 0.437 | 0.375 |
| DI162 | 1.625 | 2.000 | 0.281 | 0.219 |
| DI168 | 1.687 | 2.125 | 0.437 | 0.375 |
| DI175 | 1.750 | 2.250 | 0.375 | 0.312 |
| DI181 | 1.812 | 2.375 | 0.437 | 0.375 |
| DI187 | 1.875 | 2.500 | 0.437 | 0.375 |
| DI193 | 1.937 | 2.625 | 0.437 | 0.375 |
| DI200 | 2.000 | 2.875 | 0.500 | 0.437 |
| DI212 | 2.125 | 2.750 | 0.437 | 0.375 |
| DI225 | 2.250 | 2.750 | 0.375 | 0.312 |
| DI237 | 2.375 | 3.000 | 0.375 | 0.312 |

Imperial Sizes (cont'd)

| Part No. | Ød | ØD | H | h |
|----------|-------|-------|-------|-------|
| DI250 | 2.500 | 3.000 | 0.375 | 0.312 |
| DI262 | 2.625 | 3.125 | 0.437 | 0.375 |
| DI275 | 2.750 | 3.547 | 0.437 | 0.375 |
| DI287 | 2.875 | 3.250 | 0.437 | 0.375 |
| DI300 | 3.000 | 3.500 | 0.437 | 0.375 |
| DI312 | 3.125 | 3.875 | 0.500 | 0.437 |
| DI325 | 3.250 | 3.750 | 0.375 | 0.312 |
| DI337 | 3.375 | 3.875 | 0.437 | 0.375 |
| DI350 | 3.500 | 4.000 | 0.437 | 0.375 |
| DI362 | 3.625 | 4.187 | 0.375 | 0.312 |
| DI375 | 3.750 | 4.375 | 0.437 | 0.375 |
| DI387 | 3.875 | 4.250 | 0.437 | 0.375 |
| DI400 | 4.000 | 4.375 | 0.281 | 0.225 |
| DI425 | 4.250 | 5.000 | 0.437 | 0.375 |
| DI450 | 4.500 | 5.750 | 0.563 | 0.500 |
| DI475 | 4.750 | 5.375 | 0.344 | 0.281 |
| DI500 | 5.000 | 5.750 | 0.563 | 0.500 |
| DI525 | 5.250 | 6.000 | 0.563 | 0.500 |
| DI550 | 5.500 | 6.200 | 0.344 | 0.281 |
| DI575 | 5.750 | 6.500 | 0.563 | 0.500 |
| DI600 | 6.000 | 6.750 | 0.437 | 0.375 |
| DI625 | 6.250 | 7.000 | 0.563 | 0.500 |
| DI650 | 6.500 | 7.250 | 0.563 | 0.500 |
| DI675 | 6.750 | 7.500 | 0.563 | 0.500 |
| DI700 | 7.000 | 7.500 | 0.344 | 0.281 |
| DI725 | 7.250 | 8.000 | 0.437 | 0.375 |
| DI750 | 7.500 | 8.250 | 0.563 | 0.500 |
| DI800 | 8.000 | 8.750 | 0.563 | 0.500 |
| DI825 | 8.250 | 9.000 | 0.563 | 0.500 |
| DI850 | 8.500 | 9.250 | 0.563 | 0.500 |
| DI900 | 9.000 | 9.750 | 0.563 | 0.500 |