

## Category

- Seal, Single Acting Rod

## Construction

- Bronze filled PTFE ring, energised with an NBR 70° O-ring

## Housing

- Rectangular groove in one piece gland

## Duty

- Medium to heavy

## Features

- Compact, low friction design
- Static and running friction are very similar, hence no stick-slip
- Can be supplied in many size & material combinations
- Broad fluid compatibility

## Comments

- A good choice for new designs
- Can be used singly, in tandem, or as a buffer seal

## Manufacturer

- Transeals

## Size Range

- Metric & imperial
- ISO & special

## Options

- Many alternative material combinations are available
- USN = urethane seal ring
- MSN = moly/glass seal ring
- BSV = bronze seal ring with Viton energiser

## Metric Specifications

### Operating Conditions

Maximum Speed:	4.0 m/sec
Temperature Range:	-30°C ~ 100°C
Maximum Pressure:	350 bar

### Surface Finish

Dynamic Sealing Face:	0.1 ~ 0.4 µmRa
Static Sealing Face:	1.6 µmRa max
Other Faces:	3.2 µmRa max

### Extrusion Gap (Diametral)

Pressure (bar)	100	170	260	350
Maximum gap (mm)	0.60	0.50	0.40	0.30

### Chamfer

$$\text{Minimum } Z = H \times 0.8$$

## Imperial Specifications

### Operating Conditions

Maximum Speed:	12.0 ft/sec
Temperature Range:	-22°F ~ 212°F
Maximum Pressure:	5000 psi

### Surface Finish

Dynamic Sealing Face:	4 ~ 16 µinCLA
Static Sealing Face:	63 µinCLA max
Other Faces:	125 µinCLA max

### Extrusion Gap (Diametral)

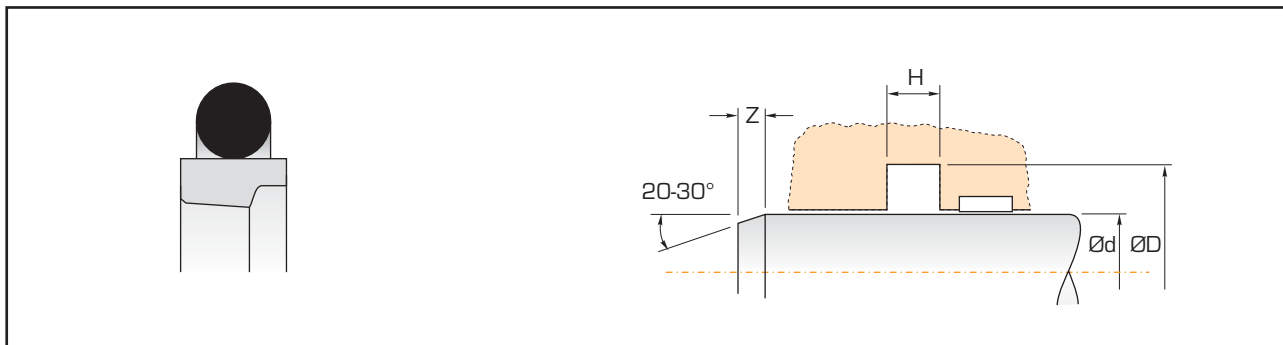
Pressure (psi)	1500	2500	3750	5000
Maximum gap (in)	0.025	0.020	0.015	0.010

### Chamfer

$$\text{Minimum } Z = H \times 0.8$$

## Standard Cross Sections

Series	ØD	H	Std. Ø Range	O-ring
RRM/ABSBN	Ød + 4.90	2.20	3 to 7.9	1.78
RRM/BBSN	Ød + 7.30	3.20	8 to 18.9	2.62
RRM/CBSN	Ød + 10.70	4.20	19 to 37.9	3.53
RRM/DBSN	Ød + 15.10	6.30	38 to 199.9	5.33
RRM/EBSN	Ød + 20.50	8.10	200 to 255.9	6.99
RRM/FBSN	Ød + 24.00	8.10	256 to 649.9	6.99
RRM/GBSN	Ød + 27.30	9.50	650 +	8.4



## Metric Sizes

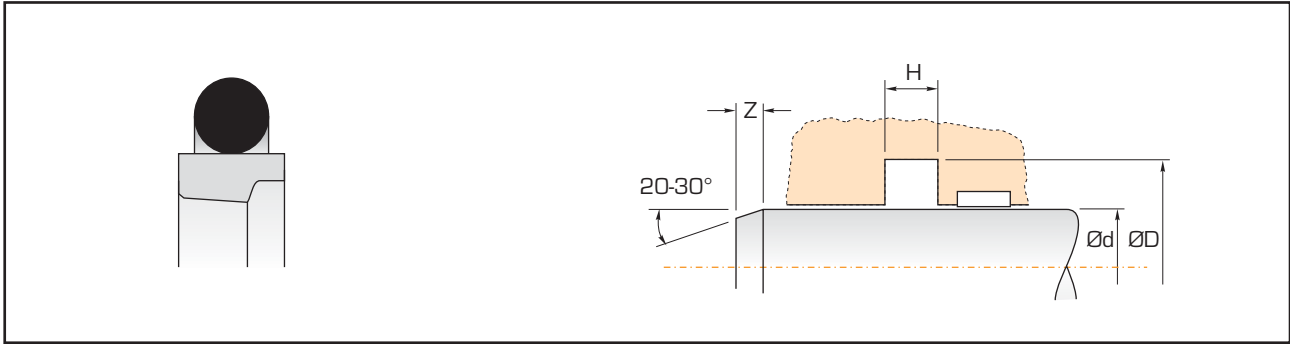
Part No.	Ød	ØD	H
<i>Tolerances</i>	<i>f8</i>	<i>H9</i>	<i>+0.2 -0</i>
RRM10ABSN	10.00	14.90	2.20
RRM10BBSN	10.00	17.30	3.20
RRM12ABSN	12.00	16.90	2.20
RRM14ABSN	14.00	18.90	2.20
RRM14BBSN	14.00	21.30	3.20
RRM15ABSN	15.00	19.90	2.20
RRM18BBSN	18.00	25.30	3.20
RRM20BBSN	20.00	27.30	3.20
RRM20CBSN	20.00	30.70	4.20
RRM22BBSN	22.00	29.30	3.20
RRM22CBSN	22.00	32.70	4.20
RRM25BBSN	25.00	32.30	3.20
RRM25CBSN	25.00	35.70	4.20
RRM28BBSN	28.00	35.30	3.20
RRM28CBSN	28.00	38.70	4.20
RRM30BBSN	30.00	37.30	3.20
RRM30CBSN	30.00	40.70	4.20
RRM32BBSN	32.00	39.30	3.20
RRM32CBSN	32.00	42.70	4.20
RRM35CBSN	35.00	45.70	4.20
RRM36CBSN	36.00	46.70	4.20
RRM38BBSN	38.00	45.30	3.20
RRM38CBSN	38.00	48.70	4.20
RRM38DBSN	38.00	53.10	6.30
RRM40BBSN	40.00	47.30	3.20
RRM40CBSN	40.00	50.70	4.20
RRM40DBSN	40.00	55.10	6.30
RRM41CBSN	41.00	51.70	4.20
RRM42DBSN	42.00	57.10	6.30
RRM44DBSN	44.00	59.10	6.30
RRM45CBSN	45.00	55.70	4.20
RRM45DBSN	45.00	60.10	6.30
RRM46CBSN	46.00	56.70	4.20
RRM48DBSN	48.00	63.10	6.30
RRM50BBSN	50.00	57.30	3.20
RRM50CBSN	50.00	60.70	4.20
RRM50DBSN	50.00	65.10	6.30

## Metric Sizes (cont'd)

Part No.	Ød	ØD	H
RRM53DBSN	53.00	68.10	6.30
RRM55CBSN	55.00	65.70	4.20
RRM55DBSN	55.00	70.10	6.30
RRM56DBSN	56.00	71.10	6.30
RRM60CBSN	60.00	70.70	4.20
RRM60DBSN	60.00	75.10	6.30
RRM63CBSN	63.00	73.70	4.20
RRM63DBSN	63.00	78.10	6.30
RRM65CBSN	65.00	75.70	4.20
RRM65DBSN	65.00	80.10	6.30
RRM66DBSN	66.00	81.10	6.30
RRM70DBSN	70.00	85.10	6.30
RRM73DBSN	73.00	88.10	6.30
RRM75DBSN	75.00	90.10	6.30
RRM80CBSN	80.00	90.70	4.20
RRM80DBSN	80.00	95.10	6.30
RRM85DBSN	85.00	100.10	6.30
RRM86DBSN	86.00	101.10	6.30
RRM90DBSN	90.00	105.10	6.30
RRM95DBSN	95.00	110.10	6.30
RRM100DBSN	100.00	115.10	6.30
RRM105DBSN	105.00	120.10	6.30
RRM110DBSN	110.00	125.10	6.30
RRM110EBSN	110.00	130.50	8.10
RRM115DBSN	115.00	130.10	6.30
RRM120DBSN	120.00	135.10	6.30
RRM125DBSN	125.00	140.10	6.30
RRM125EBSN	125.00	145.50	8.10
RRM130DBSN	130.00	145.10	6.30
RRM135DBSN	135.00	150.10	6.30
RRM140DBSN	140.00	155.10	6.30
RRM140EBSN	140.00	160.50	8.10
RRM150DBSN	150.00	165.10	6.30
RRM150EBSN	150.00	170.50	8.10
RRM160DBSN	160.00	175.10	6.30
RRM160EBSN	160.00	180.50	8.10
RRM165DBSN	165.00	180.10	6.30
RRM165EBSN	165.00	185.50	8.10



# RRM/BSN & RRI/BSN



## Metric Sizes (cont'd)

Part No.	Ød	ØD	H
<i>Tolerances</i>	<i>f8</i>	<i>H9</i>	<i>+0.2 -0</i>
RRM170DBSN	170.00	185.10	6.30
RRM170EBSN	170.00	190.50	8.10
RRM175DBSN	175.00	190.10	6.30
RRM180DBSN	180.00	195.10	6.30
RRM180EBSN	180.00	200.50	8.10
RRM190DBSN	190.00	205.10	6.30
RRM190EBSN	190.00	210.50	8.10
RRM200DBSN	200.00	215.10	6.30
RRM200EBSN	200.00	220.50	8.10
RRM200FBSN	200.00	224.00	8.10
RRM210EBSN	210.00	230.50	8.10
RRM220DBSN	220.00	235.10	6.30
RRM220EBSN	220.00	240.50	8.10
RRM225EBSN	225.00	245.50	8.10
RRM230EBSN	230.00	250.50	8.10
RRM240EBSN	240.00	260.50	8.10
RRM250EBSN	250.00	270.50	8.10
RRM260GBSN	260.00	287.30	9.50
RRM265FBSN	265.00	289.00	8.10
RRM270EBSN	270.00	290.50	8.10
RRM275FBSN	275.00	299.00	8.10
RRM280EBSN	280.00	300.50	8.10
RRM300EBSN	300.00	320.50	8.10
RRM300FBSN	300.00	324.00	8.10
RRM350FBSN	350.00	374.00	8.10
RRM350GBSN	350.00	377.30	9.50
RRM370GBSN	370.00	397.30	9.50
RRM380FBSN	380.00	404.00	8.10
RRM400FBSN	400.00	424.00	8.10
RRM450FBSN	450.00	474.00	8.10
RRM450GBSN	450.00	477.30	9.50

For additional sizes, contact Transeals.

## Imperial Sizes

Part No.	Ød	ØD	H
<i>Tolerances</i>	<i>f8</i>	<i>H9</i>	<i>+0.008 -0</i>
RRI050BBSN	0.500	0.788	0.126
RRI062BBSN	0.625	0.913	0.126
RRI087BBSN	0.875	1.163	0.126
RRI100BBSN	1.000	1.288	0.126
RRI100CBSN	1.000	1.422	0.165
RRI112CBSN	1.125	1.547	0.165
RRI125CBSN	1.250	1.672	0.165
RRI137CBSN	1.375	1.797	0.165
RRI150BBSN	1.500	1.788	0.126
RRI150CBSN	1.500	1.922	0.165
RRI150DBSN	1.500	2.094	0.248
RRI175DBSN	1.750	2.344	0.248
RRI200CBSN	2.000	2.422	0.165
RRI200DBSN	2.000	2.594	0.248
RRI225CBSN	2.250	2.672	0.165
RRI225DBSN	2.250	2.844	0.248
RRI250CBSN	2.500	2.922	0.165
RRI250DBSN	2.500	3.094	0.248
RRI275CBSN	2.750	3.172	0.165
RRI275DBSN	2.750	3.344	0.248
RRI300CBSN	3.000	3.422	0.165
RRI300DBSN	3.000	3.594	0.248
RRI312DBSN	3.125	3.719	0.248
RRI325DBSN	3.250	3.844	0.248
RRI350DBSN	3.500	4.094	0.248
RRI375DBSN	3.750	4.344	0.248
RRI400CBSN	4.000	4.422	0.165
RRI400DBSN	4.000	4.594	0.248
RRI425DBSN	4.250	4.844	0.248
RRI450DBSN	4.500	5.094	0.248
RRI500DBSN	5.000	5.594	0.248
RRI550DBSN	5.500	6.094	0.248
RRI600DBSN	6.000	6.594	0.248
RRI700DBSN	7.000	7.594	0.248
RRI800EBSN	8.000	8.808	0.319
RRI800FBSN	8.000	8.946	0.319
RRI900FBSN	9.000	9.946	0.319
RRI1000FBSN	10.000	10.946	0.319
RRI1200GBSN	12.000	13.076	0.374

For additional sizes, contact Transeals.

