

Category

- Seal, Single Acting Rod

Construction

- Fabric reinforced NBR heel with homogeneous NBR sealing element and acetal antiextrusion ring

Housing

- Rectangular groove in one or two piece gland

Duty

- Medium

Features

- Self energising sealing element seals positively from low to high pressure
- Fabric reinforced base retains sealing media to reduce friction and wear
- Antiextrusion ring for increased metal clearances

Comments

- NBR and fabric seals are often more resistant to high temperature spikes than urethane seals

Size Range

- Metric and imperial

Metric Specifications

Operating Conditions

Maximum Speed:	0.5 m/sec
Temperature Range:	-40°C ~ 110°C
Maximum Pressure:	400 bar

Surface Finish

Dynamic Sealing Face:	0.1 ~ 0.4 µmRa
Static Sealing Face:	1.6 µmRa max
Other Faces:	3.2 µmRa max

Extrusion Gap (Diametral)

Pressure (bar)	160	250	400
Maximum gap (mm)	0.60	0.50	0.40

Chamfer

$$\text{Minimum } Z = C \times 0.85 \quad \text{where } C = (\text{ØD} - \text{Ød}) \div 2$$

Imperial Specifications

Operating Conditions

Maximum Speed:	1.5 ft/sec
Temperature Range:	-22°F ~ 212°F
Maximum Pressure:	6000 psi

Surface Finish

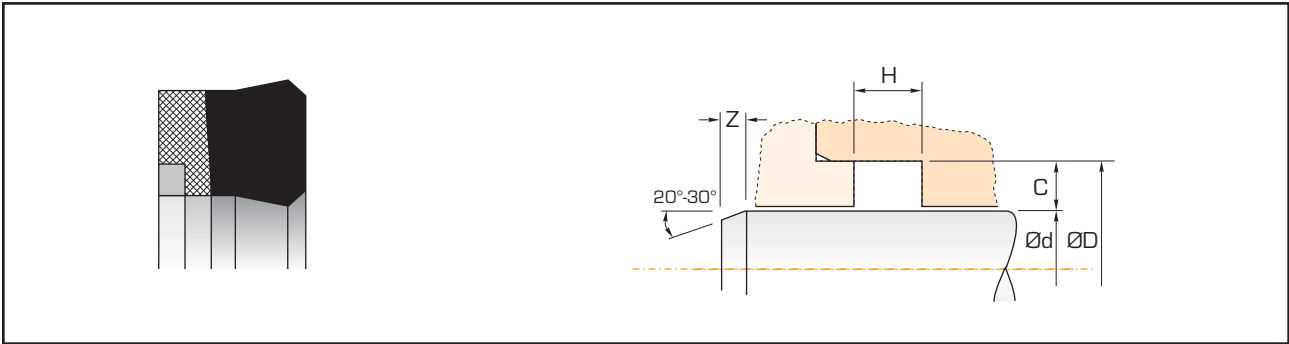
Dynamic Sealing Face:	4 ~ 16 µinCLA
Static Sealing Face:	63 µinCLA max
Other Faces:	125 µinCLA max

Extrusion Gap (Diametral)

Pressure (psi)	2400	3750	6000
Maximum gap (in)	0.024	0.016	0.010

Chamfer

$$\text{Minimum } Z = C \times 0.85 \quad \text{where } C = (\text{ØD} - \text{Ød}) \div 2$$

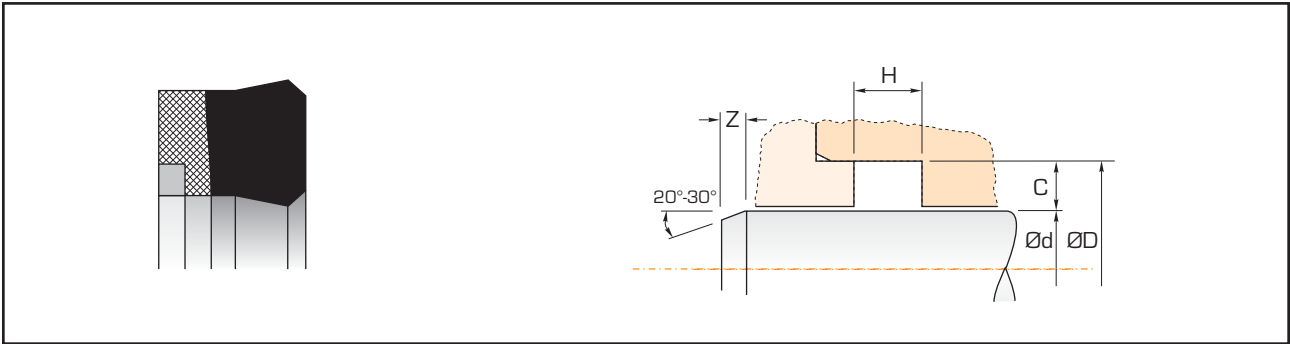


Metric Sizes

Part No	Ød	ØD	H
<i>Tolerances</i>	<i>f8</i>	<i>JS11</i>	<i>+0.25 -0</i>
SM3020-8.5I	20.00	30.00	8.50
SM3022-7I	22.00	30.00	7.00
SM3325-6.4I	25.00	33.00	6.40
SM3525-8.5I	25.00	35.00	8.50
SM3825-10I	25.00	38.00	10.00
SM3830-6.4I	30.00	38.00	6.40
SM4030-7.5I	30.00	40.00	7.50
SM4530-9I	30.00	45.00	9.00
SM4032-9I	32.00	40.00	9.00
SM4532-10I	32.00	45.00	10.00
SM4335-6.4I	35.00	43.00	6.40
SM4535-7I	35.00	45.00	7.00
SM4535-10I	35.00	45.00	10.00
SM5035-11.5I	35.00	50.00	11.50
SM4336-6.5I	36.00	43.00	6.50
SM4636-8.5I	36.00	46.00	8.50
SM4836-9.5I	36.00	48.00	9.50
SM4840-6.5I	40.00	48.00	6.50
SM5040-8I	40.00	50.00	8.00
SM5040-10.5I	40.00	50.00	10.50
SM5540-7.5I	40.00	55.00	7.50
SM5540-11I	40.00	55.00	11.00
SM5345-8.5I	45.00	53.00	8.50
SM5545-8I	45.00	55.00	8.00
SM5545-11I	45.00	55.00	11.00
SM6045-10.5I	45.00	60.00	10.50
SM6050-8I	50.00	60.00	8.00
SM6050-10I	50.00	60.00	10.00
SM6250-9.5I	50.00	62.00	9.50
SM6550-11I	50.00	65.00	11.00
SM7050-14.5I	50.00	70.00	14.50
SM6555-11I	55.00	65.00	11.00
SM7055-10.5I	55.00	70.00	10.50
SM7555-14.5I	55.00	75.00	14.50
SM7156-10.5I	56.00	71.00	10.50

Metric Sizes (cont'd)

Part No	Ød	ØD	H
SM7060-8I	60.00	70.00	8.00
SM7060-10.5I	60.00	70.00	10.50
SM7260-10I	60.00	72.00	10.00
SM8060-14.5I	60.00	80.00	14.50
SM8363-14.5I	63.00	83.00	14.50
SM8065-12.5I	65.00	80.00	12.50
SM8565-14.5I	65.00	85.00	14.50
SM8570-12I	70.00	85.00	12.00
SM9070-14.5I	70.00	90.00	14.50
SM8575-11I	75.00	85.00	11.00
SM9575-14.5I	75.00	95.00	14.50
SM9580-12I	80.00	95.00	12.00
SM10080-14.5I	80.00	100.00	14.50
SM10085-12.5I	85.00	100.00	12.50
SM10090-11I	90.00	100.00	11.00
SM10590-9.5I	90.00	105.00	9.50
SM10590-12.5I	90.00	105.00	12.50
SM11090-12.5I	90.00	110.00	12.50
SM113100-13.5I	100.00	113.00	13.50
SM115100-11.5I	100.00	115.00	11.50
SM115100-12.5I	100.00	115.00	12.50
SM120100-14.5I	100.00	120.00	14.50
SM115105-11I	105.00	115.00	11.00
SM125105-12.5I	105.00	125.00	12.50
SM125110-12I	110.00	125.00	12.00
SM130110-12.5I	110.00	130.00	12.50
SM140120-12.5I	120.00	140.00	12.50
SM160140-12.5I	140.00	160.00	12.50
SM170160-11I	160.00	170.00	11.00



Imperial Sizes

Part No	Ød	ØD	H
<i>Rod</i>	<i>f8</i>	<i>JS11</i>	<i>+0.010 -0</i>
S125100-018I	1.000	1.250	0.202
S137100-025I	1.000	1.375	0.265
S150100-037I	1.000	1.500	0.390
S156112-034I	1.125	1.562	0.358
S162112-037I	1.125	1.625	0.390
S162125-025I	1.250	1.625	0.265
S175125-037I	1.250	1.750	0.390
S168137-025I	1.375	1.687	0.265
S187150-025I	1.500	1.875	0.265
S187150-028I	1.500	1.875	0.296
S200150-037I	1.500	2.000	0.390
S200162-028I	1.625	2.000	0.296
S212175-028I	1.750	2.125	0.296
S225175-037I	1.750	2.250	0.390
S237175-043I	1.750	2.375	0.452
S250200-037I	2.000	2.500	0.390
S262200-043I	2.000	2.625	0.452
S275200-043I	2.000	2.750	0.452
S275225-037I	2.250	2.750	0.390
S300250-031I	2.500	3.000	0.327
S325250-056I	2.500	3.250	0.577
S375300-056I	3.000	3.750	0.577
S425350-056I	3.500	4.250	0.577
S475400-068I	4.000	4.750	0.702
S500400-075I	4.000	5.000	0.765