

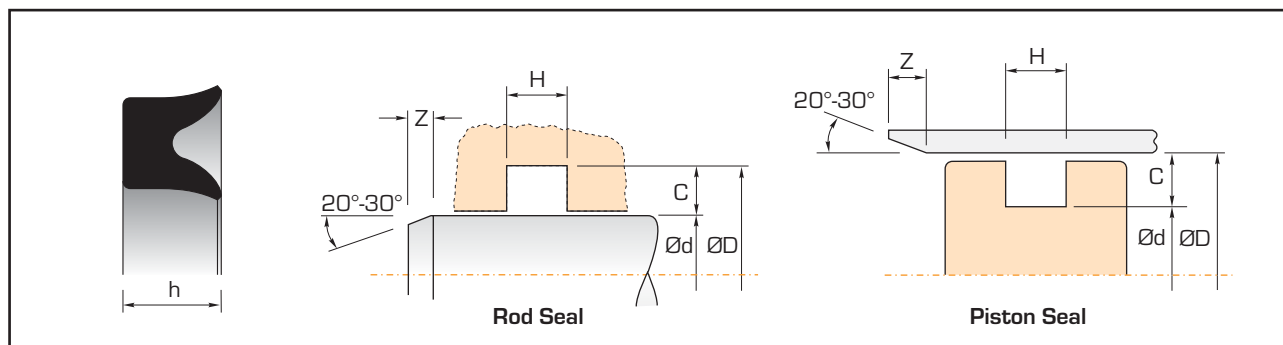
- Category**
- Seal, Single Acting Rod or Piston
- Construction**
- NBR symmetrical U-ring
- Housing**
- Rectangular groove in one piece gland or piston
- Duty**
- Light
- Comments**
- Homogeneous NBR U-ring suitable for pneumatic or light duty hydraulic applications
- Size Range**
- Imperial

Metric Specifications

Operating Conditions	Maximum Speed:	0.5 m/sec
	Temperature Range:	-40°C ~ 80°C
Surface Finish	Dynamic Sealing Face:	0.1 ~ 0.4 µmRa
	Static Sealing Face:	1.6 µmRa max
	Other Faces:	3.2 µmRa max
Chamfers	Minimum $Z = C \times 0.85$ where $C = (\text{ØD} - \text{Ød}) \div 2$	

Imperial Specifications

Operating Conditions	Maximum Speed:	1.5 ft/sec
	Temperature Range:	-40°F ~ 180°F
Surface Finish	Dynamic Sealing Face:	4 ~ 16 µinCLA
	Static Sealing Face:	63 µinCLA max
	Other Faces:	125 µinCLA max
Chamfers	Minimum $Z = C \times 0.85$ where $C = (\text{ØD} - \text{Ød}) \div 2$	

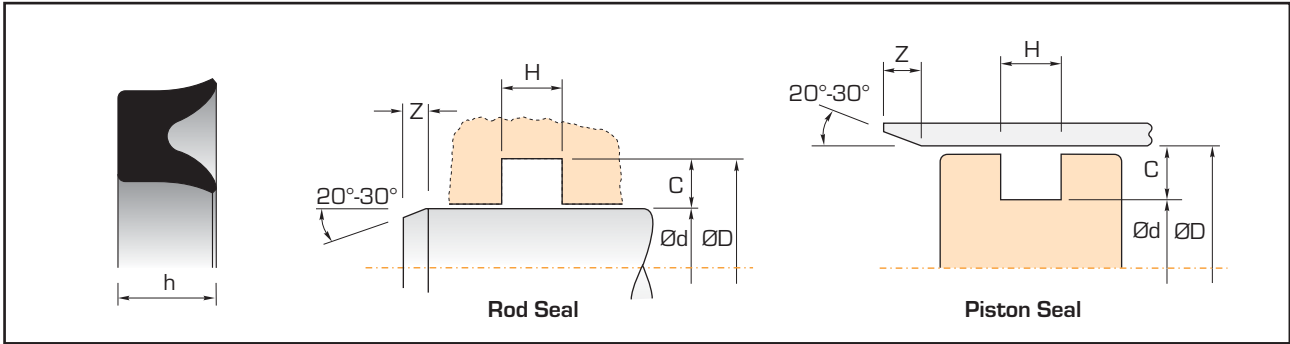


Imperial Sizes

Part No.	Ød	ØD	H	h
<i>Rod</i>	<i>f9</i>	<i>JS11</i>	<i>+0.030 -0</i>	
<i>Piston</i>	<i>js11</i>	<i>H9</i>	<i>+0.030 -0</i>	
U031012	0.125	0.312	0.156	0.094
U037018	0.187	0.375	0.163	0.101
U043025	0.250	0.437	0.187	0.125
U050031	0.312	0.500	0.250	0.187
U056031	0.312	0.562	0.187	0.125
U062037	0.375	0.625	0.187	0.125
U068043	0.437	0.687	0.250	0.187
U075043	0.437	0.750	0.250	0.187
U081050	0.500	0.812	0.281	0.219
U087050	0.500	0.875	0.250	0.187
U093056	0.562	0.937	0.250	0.187
U100062	0.625	1.000	0.312	0.250
U106068	0.687	1.062	0.342	0.280
U112068	0.687	1.125	0.281	0.219
U118075	0.750	1.187	0.312	0.250
U125075	0.750	1.250	0.312	0.250
U131075	0.750	1.312	0.375	0.312
U137075	0.750	1.375	0.375	0.312
U143081	0.812	1.437	0.437	0.375
U150087	0.875	1.500	0.375	0.312
U156093	0.937	1.562	0.375	0.312
U162093	0.937	1.625	0.437	0.375
U168100	1.000	1.687	0.437	0.375
U175100	1.000	1.750	0.437	0.375
U181106	1.062	1.812	0.437	0.375
U187112	1.125	1.875	0.437	0.375
U193118	1.187	1.937	0.437	0.375
U200125	1.250	2.000	0.437	0.375
U206131	1.312	2.062	0.437	0.375
U212137	1.375	2.125	0.437	0.375
U225143	1.437	2.250	0.375	0.312
U218150	1.500	2.187	0.312	0.250
U231156	1.562	2.312	0.437	0.375
U243156	1.562	2.437	0.437	0.375

Imperial Sizes (cont'd)

Part No.	Ød	ØD	H	h
U237162	1.625	2.375	0.437	0.375
U256168	1.687	2.562	0.437	0.375
U262175	1.750	2.625	0.500	0.437
U268181	1.812	2.687	0.437	0.375
U250187	1.875	2.500	0.375	0.312
U275193	1.937	2.750	0.437	0.375
U287200	2.000	2.875	0.437	0.375
U281206	2.062	2.812	0.437	0.375
U293212	2.125	2.937	0.437	0.375
U300218	2.187	3.000	0.437	0.375
U300225	2.250	3.000	0.437	0.375
U312237	2.375	3.125	0.437	0.375
U337237	2.375	3.375	0.562	0.500
U325250	2.500	3.250	0.437	0.375
U325262	2.625	3.250	0.375	0.312
U375275	2.750	3.750	0.437	0.375
U350287	2.875	3.500	0.375	0.312
U362300	3.000	3.625	0.375	0.312
U387300	3.000	3.875	0.437	0.375
U387312	3.125	3.875	0.437	0.375
U400306	3.062	4.000	0.562	0.500
U400325	3.250	4.000	0.437	0.375
U412331	3.312	4.125	0.500	0.437
U412337	3.375	4.125	0.437	0.375
U425350	3.500	4.250	0.437	0.375
U425356	3.562	4.250	0.375	0.312
U437362	3.625	4.375	0.437	0.375
U450375	3.750	4.500	0.437	0.375
U462387	3.875	4.625	0.437	0.375
U475400	4.000	4.750	0.500	0.437
U475412	4.125	4.750	0.437	0.375
U487425	4.250	4.875	0.375	0.312
U500437	4.375	5.000	0.375	0.312
U512437	4.375	5.125	0.437	0.375
U525450	4.500	5.250	0.437	0.375
U537450	4.500	5.375	0.437	0.375



Imperial Sizes (cont'd)

Part No.	Ød	ØD	H	h
<i>Rod</i>	<i>f9</i>	<i>JS11</i>	<i>+0.030 -0</i>	
<i>Piston</i>	<i>js11</i>	<i>H9</i>	<i>+0.030 -0</i>	
U550462	4.625	5.500	0.437	0.375
U550475	4.750	5.500	0.437	0.375
U562487	4.875	5.625	0.437	0.375
U562500	5.000	5.625	0.375	0.312
U575500	5.000	5.750	0.437	0.375
U600500	5.000	6.000	0.562	0.500
U587512	5.125	5.875	0.437	0.375
U625525	5.250	6.250	0.562	0.500
U612537	5.375	6.125	0.437	0.375
U650550	5.500	6.500	0.562	0.500
U700575	5.750	7.000	0.562	0.500
U675600	6.000	6.750	0.437	0.375
U725600	6.000	7.250	0.562	0.500
U750625	6.250	7.500	0.687	0.625
U800650	6.500	8.000	0.812	0.750
U825675	6.750	8.250	0.812	0.750
U850675	6.750	8.500	0.812	0.750
U775700	7.000	7.750	0.687	0.625
U875725	7.250	8.750	0.812	0.750
U900750	7.500	9.000	0.812	0.750
U925775	7.750	9.250	0.812	0.750
U975800	8.000	9.750	0.812	0.750
U950825	8.250	9.500	0.562	0.500
U1000850	8.500	10.000	0.812	0.750
U11501000	10.000	11.500	0.937	0.875
U12001050	10.500	12.000	0.937	0.875