

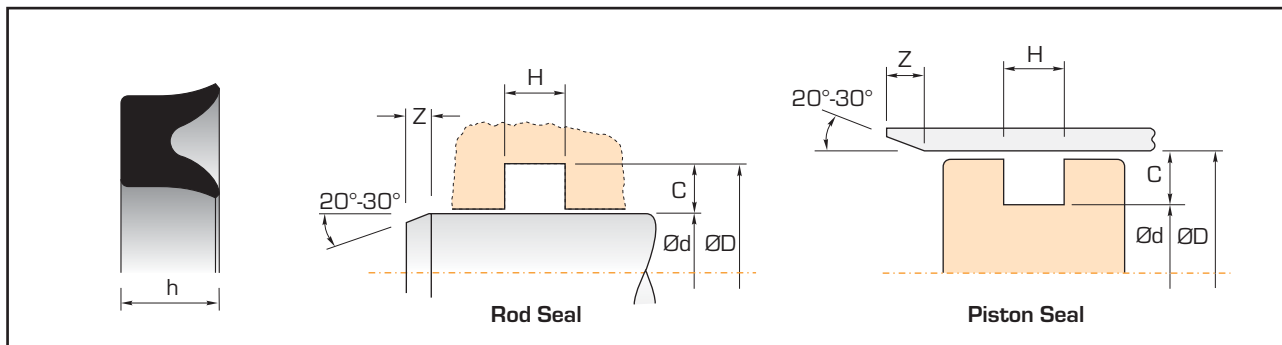
- Category**
- Seal, Single Acting Rod or Piston
- Construction**
- NBR symmetrical U-ring
- Housing**
- Rectangular groove in one piece gland or piston
- Duty**
- Light
- Comments**
- Homogeneous NBR U-ring suitable for pneumatic or light duty hydraulic applications
- Size Range**
- Metric

Metric Specifications

Operating Conditions	Maximum Speed:	0.5 m/sec
	Temperature Range:	-40°C ~ 80°C
Surface Finish	Dynamic Sealing Face:	0.1 ~ 0.4 µmRa
	Static Sealing Face:	1.6 µmRa max
	Other Faces:	3.2 µmRa max
Chamfers	Minimum $Z = C \times 0.85$ where $C = (\text{ØD} - \text{Ød}) \div 2$	

Imperial Specifications

Operating Conditions	Maximum Speed:	1.5 ft/sec
	Temperature Range:	-40°F ~ 180°F
Surface Finish	Dynamic Sealing Face:	4 ~ 16 µinCLA
	Static Sealing Face:	63 µinCLA max
	Other Faces:	125 µinCLA max
Chamfers	Minimum $Z = C \times 0.85$ where $C = (\text{ØD} - \text{Ød}) \div 2$	



Metric Sizes

Part No.	Ød	ØD	H	h
<i>Rod</i>	<i>f9</i>	<i>JS11</i>	<i>+0.70 -0</i>	
<i>Piston</i>	<i>js11</i>	<i>H9</i>	<i>+0.70 -0</i>	
UM125	5.00	12.00	6.50	5.00
UM186	6.00	18.00	9.50	8.00
UM206	6.00	20.00	9.50	8.00
UM168	8.00	16.00	7.50	6.00
UM258	8.00	25.00	7.50	6.00
UM20108	10.00	20.00	9.50	8.00
UM2210	10.00	22.00	7.50	6.00
UM251010	10.00	25.00	11.50	10.00
UM2610	10.00	26.00	9.50	8.00
UM3010	10.00	30.00	11.50	10.00
UM2412	12.00	24.00	7.50	6.00
UM2812	12.00	28.00	11.50	10.00
UM3512	12.00	35.00	13.50	12.00
UM3013	13.00	30.00	11.50	10.00
UM3214	14.00	32.00	11.50	10.00
UM25156	15.00	25.00	7.50	6.00
UM3015	15.00	30.00	9.50	8.00
UM3515	15.00	35.00	11.50	10.00
UM3216	16.00	32.00	9.50	8.00
UM321610	16.00	32.00	11.50	10.00
UM3616	16.00	36.00	11.50	10.00
UM3817	17.00	38.00	11.50	10.00
UM3418	18.00	34.00	9.50	8.00
UM351812	18.00	35.00	13.50	12.00
UM3818	18.00	38.00	11.50	10.00
UM4018	18.00	40.00	11.50	10.00
UM30206	20.00	30.00	7.50	6.00
UM352010	20.00	35.00	11.50	10.00
UM3620	20.00	36.00	9.50	8.00
UM4020	20.00	40.00	11.50	10.00
UM4320	20.00	43.00	13.50	12.00
UM4222	22.00	42.00	11.50	10.00
UM4025	25.00	40.00	11.50	10.00
UM4225	25.00	42.00	9.50	8.00
UM4525	25.00	45.00	11.50	10.00
UM5025	25.00	50.00	13.50	12.00
UM4626	26.00	46.00	11.50	10.00
UM4828	28.00	48.00	11.50	10.00
UM453010	30.00	45.00	11.50	10.00
UM5030	30.00	50.00	11.50	10.00

Metric Sizes (cont'd)

Part No.	Ød	ØD	H	h
UM6030	30.00	60.00	16.50	15.00
UM503212	32.00	50.00	13.50	12.00
UM5232	32.00	52.00	11.50	10.00
UM553510	35.00	55.00	11.50	10.00
UM6035	35.00	60.00	13.50	12.00
UM5838	38.00	58.00	11.50	10.00
UM5540	40.00	55.00	11.50	10.00
UM6040	40.00	60.00	11.50	10.00
UM6540	40.00	65.00	13.50	12.00
UM6545	45.00	65.00	11.50	10.00
UM654512	45.00	65.00	13.50	12.00
UM7046	46.00	70.00	13.50	12.00
UM6848	48.00	68.00	11.50	10.00
UM7050	50.00	70.00	11.50	10.00
UM7555	55.00	75.00	11.50	10.00
UM8055	55.00	80.00	13.50	12.00
UM8555	55.00	85.00	16.50	15.00
UM8060	60.00	80.00	11.50	10.00
UM9060	60.00	90.00	16.50	15.00
UM8565	65.00	85.00	11.50	10.00
UM9065	65.00	90.00	13.50	12.00
UM9565	65.00	95.00	13.50	12.00
UM9070	70.00	90.00	11.50	10.00
UM9575	75.00	95.00	11.50	10.00
UM10080	80.00	100.00	11.50	10.00
UM11080	80.00	110.00	16.50	15.00
UM10585	85.00	105.00	11.50	10.00
UM11090	90.00	110.00	11.50	10.00
UM12090	90.00	120.00	16.50	15.00
UM120100	100.00	120.00	11.50	10.00
UM125100	100.00	125.00	13.50	12.00
UM130100	100.00	130.00	16.50	15.00
UM140120	120.00	140.00	11.50	10.00
UM150120	120.00	150.00	16.50	15.00
UM160130	130.00	160.00	16.50	15.00
UM16513518	135.00	165.00	19.50	18.00
UM170140	140.00	170.00	16.50	15.00
UM180150	150.00	180.00	16.50	15.00
UM190160	160.00	190.00	16.50	15.00
UM200170	170.00	200.00	16.50	15.00
UM250210	210.00	250.00	21.50	20.00
UM35032022	320.00	350.00	23.50	22.00