

- Category**
- Seal, Single Acting Rod or Piston
- Construction**
- Polyurethane U-ring with knifed lips, energised by an NBR-70 O-ring
- Housing**
- Rectangular groove in one piece gland or piston
- Duty**
- Medium
- Features**
- Positively energised sealing lips
 - Large range of sizes
 - Interchangeable with other commonly available US energised U-rings
- Comments**
- Bevel lip version of popular US energised U-ring
 - Dry sealing characteristics make this series best suited for use on rods
- Size Range**
- US imperial

Metric Specifications

Operating Conditions

Maximum Speed:	0.5 m/sec
Temperature Range:	-40°C ~ 110°C
Maximum Pressure:	350 bar

Surface Finish

Dynamic Sealing Face:	0.1 ~ 0.4 µmRa
Static Sealing Face:	1.6 µmRa max
Other Faces:	3.2 µmRa max

Extrusion Gap (Diametral)

Pressure (bar)	160	250	350
Maximum gap (mm)	0.60	0.50	0.40

Chamfers

Minimum $Z = C \times 0.85$	where $C = (\text{Ø}D - \text{Ø}d) \div 2$
-----------------------------	--

Imperial Specifications

Operating Conditions

Maximum Speed:	1.5 ft/sec
Temperature Range:	-40°F ~ 230°F
Maximum Pressure:	5000 psi

Surface Finish

Dynamic Sealing Face:	4 ~ 16 µinCLA
Static Sealing Face:	63 µinCLA max
Other Faces:	125 µinCLA max

Extrusion Gap (Diametral)

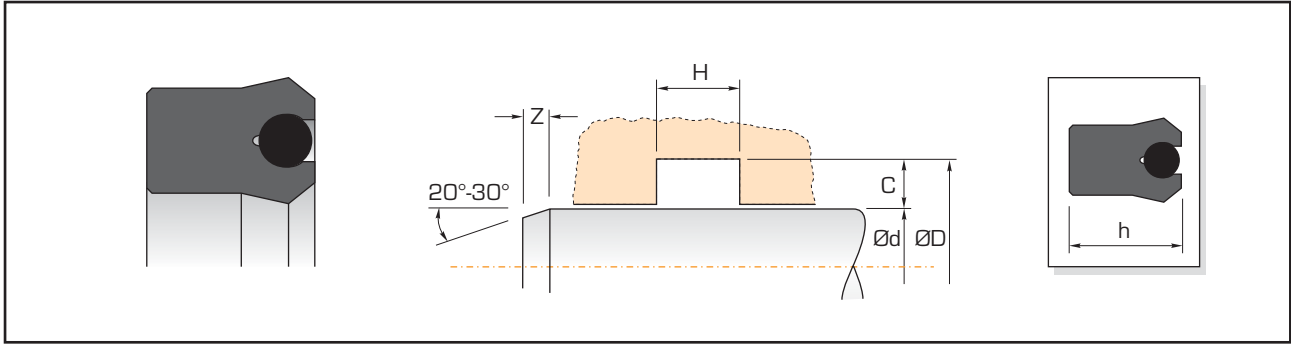
Pressure (psi)	2400	3750	5000
Maximum gap (in)	0.024	0.020	0.016

Chamfers

Minimum $Z = C \times 0.85$	where $C = (\text{Ø}D - \text{Ø}d) \div 2$
-----------------------------	--

Tolerances

C	ØD	Ød	H
1/8" (0.125)	+0 -0.001	+0.002 -0	+0.015 -0
3/16" (0.187)	+0 -0.002	+0.002 -0	+0.015 -0
1/4" (0.250)	+0 -0.002	+0.003 -0	+0.015 -0
5/16" (0.312)	+0 -0.002	+0.004 -0	+0.015 -0
3/8" (0.375)	+0 -0.002	+0.005 -0	+0.015 -0
1/2" (0.500)	+0 -0.003	+0.007 -0	+0.015 -0

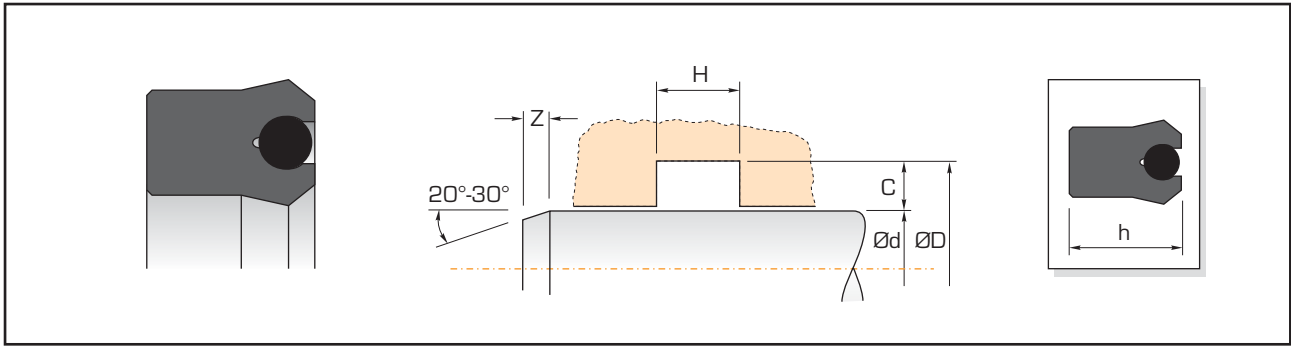


Imperial Sizes

Part No.	Ød	ØD	H	h
12500125-250B	0.125	0.375	0.275	0.250
12500187-250B	0.187	0.437	0.275	0.250
12500250-187B	0.250	0.500	0.206	0.187
12500250-250B	0.250	0.500	0.275	0.250
12500312-250B	0.312	0.562	0.275	0.250
15600312-250B	0.312	0.625	0.275	0.250
12500375-250B	0.375	0.625	0.275	0.250
18700375-312B	0.375	0.750	0.344	0.312
12500437-250B	0.437	0.687	0.275	0.250
25000437-375B	0.437	0.937	0.413	0.375
12500500-250B	0.500	0.750	0.275	0.250
18700500-250B	0.500	0.875	0.275	0.250
18700500-312B	0.500	0.875	0.344	0.312
25000500-375B	0.500	1.000	0.413	0.375
12500562-250B	0.562	0.812	0.275	0.250
18700562-312B	0.562	0.937	0.344	0.312
12500625-178B	0.625	0.875	0.195	0.178
12500625-187B	0.625	0.875	0.206	0.187
12500625-250B	0.625	0.875	0.275	0.250
18700625-312B	0.625	1.000	0.344	0.312
25000625-312B	0.625	1.125	0.344	0.312
25000625-375B	0.625	1.125	0.413	0.375
12500687-250B	0.687	0.937	0.275	0.250
18700687-312B	0.687	1.062	0.344	0.312
25000687-375B	0.687	1.187	0.413	0.375
12500750-250B	0.750	1.000	0.275	0.250
18700750-187B	0.750	1.125	0.206	0.187
18700750-250B	0.750	1.125	0.275	0.250
18700750-312B	0.750	1.125	0.344	0.312
18700750-375B	0.750	1.125	0.413	0.375
25000750-375B	0.750	1.250	0.413	0.375
31200750-500B	0.750	1.375	0.550	0.500
37500750-625B	0.750	1.500	0.688	0.625
12500812-250B	0.812	1.062	0.275	0.250
18700812-312B	0.812	1.187	0.344	0.312
25000812-375B	0.812	1.312	0.413	0.375

Imperial Sizes (cont'd)

Part No.	Ød	ØD	H	h
12500875-250B	0.875	1.125	0.275	0.250
18700875-312B	0.875	1.250	0.344	0.312
25000875-312B	0.875	1.375	0.344	0.312
25000875-375B	0.875	1.375	0.413	0.375
12500937-250B	0.937	1.187	0.275	0.250
12501000-187B	1.000	1.250	0.206	0.187
12501000-250B	1.000	1.250	0.275	0.250
15601000-234B	1.000	1.312	0.257	0.234
18701000-187B	1.000	1.375	0.206	0.187
18701000-250B	1.000	1.375	0.275	0.250
18701000-312B	1.000	1.375	0.344	0.312
18701000-375B	1.000	1.375	0.413	0.375
25001000-375B	1.000	1.500	0.413	0.375
31201000-375B	1.000	1.625	0.413	0.375
31201000-500B	1.000	1.625	0.550	0.500
37501000-625B	1.000	1.750	0.688	0.625
12501062-250B	1.062	1.312	0.275	0.250
18701062-312B	1.062	1.437	0.344	0.312
12501125-250B	1.125	1.375	0.275	0.250
12501125-312B	1.125	1.375	0.344	0.312
18701125-250B	1.125	1.500	0.275	0.250
18701125-312B	1.125	1.500	0.344	0.312
18701125-375B	1.125	1.500	0.413	0.375
25001125-250B	1.125	1.625	0.275	0.250
25001125-375B	1.125	1.625	0.413	0.375
31201125-375B	1.125	1.750	0.413	0.375
31201125-500B	1.125	1.750	0.550	0.500
12501187-187B	1.187	1.437	0.206	0.187
12501187-250B	1.187	1.437	0.275	0.250
18701187-250B	1.187	1.562	0.275	0.250
18701187-312B	1.187	1.562	0.344	0.312
12501250-125B	1.250	1.500	0.137	0.125
12501250-187B	1.250	1.500	0.206	0.187
12501250-250B	1.250	1.500	0.275	0.250
18701250-250B	1.250	1.625	0.275	0.250
18701250-266B	1.250	1.625	0.293	0.266

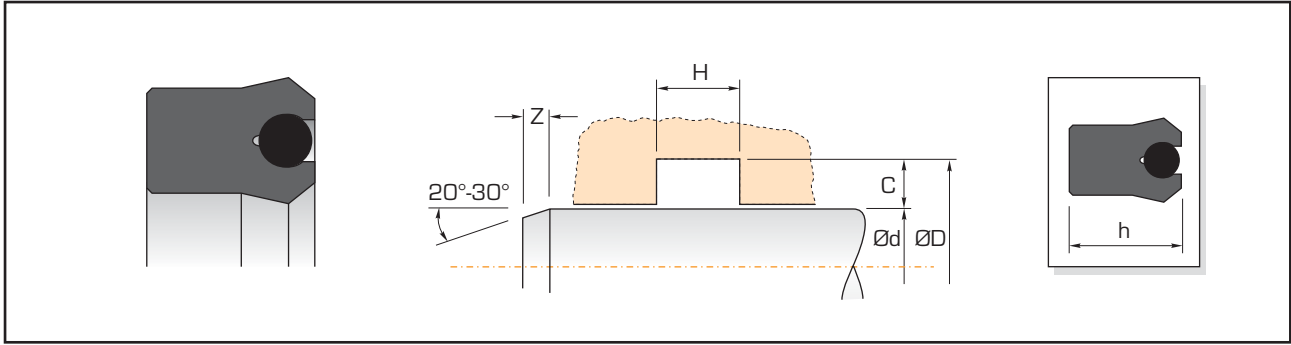


Imperial Sizes (cont'd)

Part No.	Ød	ØD	H	h
18701250-312B	1.250	1.625	0.344	0.312
18701250-375B	1.250	1.625	0.413	0.375
25001250-375B	1.250	1.750	0.413	0.375
31201250-312B	1.250	1.875	0.344	0.312
31201250-375B	1.250	1.875	0.413	0.375
31201250-500B	1.250	1.875	0.550	0.500
37501250-500B	1.250	2.000	0.550	0.500
37501250-625B	1.250	2.000	0.688	0.625
50001250-750B	1.250	2.250	0.825	0.750
18701312-312B	1.312	1.687	0.344	0.312
25001312-375B	1.312	1.812	0.413	0.375
12501375-187B	1.375	1.625	0.206	0.187
12501375-250B	1.375	1.625	0.275	0.250
18701375-250B	1.375	1.750	0.275	0.250
18701375-312B	1.375	1.750	0.344	0.312
18701375-375B	1.375	1.750	0.413	0.375
25001375-375B	1.375	1.875	0.413	0.375
31201375-375B	1.375	2.000	0.413	0.375
31201375-500B	1.375	2.000	0.550	0.500
12501437-250B	1.437	1.687	0.275	0.250
12501500-187B	1.500	1.750	0.206	0.187
12501500-250B	1.500	1.750	0.275	0.250
15601500-312B	1.500	1.812	0.344	0.312
18701500-200B	1.500	1.875	0.220	0.200
18701500-250B	1.500	1.875	0.275	0.250
18701500-266B	1.500	1.875	0.293	0.266
18701500-312B	1.500	1.875	0.344	0.312
18701500-375B	1.500	1.875	0.413	0.375
18701500-406B	1.500	1.875	0.445	0.406
25001500-312B	1.500	2.000	0.344	0.312
25001500-375B	1.500	2.000	0.413	0.375
25001500-500B	1.500	2.000	0.550	0.500
31201500-312B	1.500	2.125	0.344	0.312
31201500-375B	1.500	2.125	0.413	0.375
31201500-437B	1.500	2.125	0.481	0.437
31201500-500B	1.500	2.125	0.550	0.500

Imperial Sizes (cont'd)

Part No.	Ød	ØD	H	h
37501500-500B	1.500	2.250	0.550	0.500
37501500-625B	1.500	2.250	0.688	0.625
12501625-187B	1.625	1.875	0.206	0.187
12501625-250B	1.625	1.875	0.275	0.250
18701625-250B	1.625	2.000	0.275	0.250
18701625-312B	1.625	2.000	0.344	0.312
18701625-375B	1.625	2.000	0.413	0.375
25001625-375B	1.625	2.125	0.413	0.375
31201625-500B	1.625	2.250	0.550	0.500
37501625-625B	1.625	2.375	0.688	0.625
12501750-250B	1.750	2.000	0.275	0.250
18701750-230B	1.750	2.125	0.253	0.230
18701750-266B	1.750	2.125	0.293	0.266
18701750-312B	1.750	2.125	0.344	0.312
18701750-375B	1.750	2.125	0.413	0.375
25001750-250B	1.750	2.250	0.275	0.250
25001750-375B	1.750	2.250	0.413	0.375
31201750-375B	1.750	2.375	0.413	0.375
31201750-437B	1.750	2.375	0.481	0.437
31201750-500B	1.750	2.375	0.550	0.500
37501750-500B	1.750	2.500	0.550	0.500
37501750-625B	1.750	2.500	0.688	0.625
50001750-750B	1.750	2.750	0.825	0.750
12501875-187B	1.875	2.125	0.206	0.187
12501875-250B	1.875	2.125	0.275	0.250
18701875-250B	1.875	2.250	0.275	0.250
18701875-266B	1.875	2.250	0.293	0.266
18701875-375B	1.875	2.250	0.413	0.375
25001875-375B	1.875	2.375	0.413	0.375
31201875-500B	1.875	2.500	0.550	0.500
50001875-625B	1.875	2.875	0.688	0.625
12502000-187B	2.000	2.250	0.206	0.187
12502000-250B	2.000	2.250	0.275	0.250
18702000-230B	2.000	2.375	0.253	0.230
18702000-250B	2.000	2.375	0.275	0.250
18702000-312B	2.000	2.375	0.344	0.312

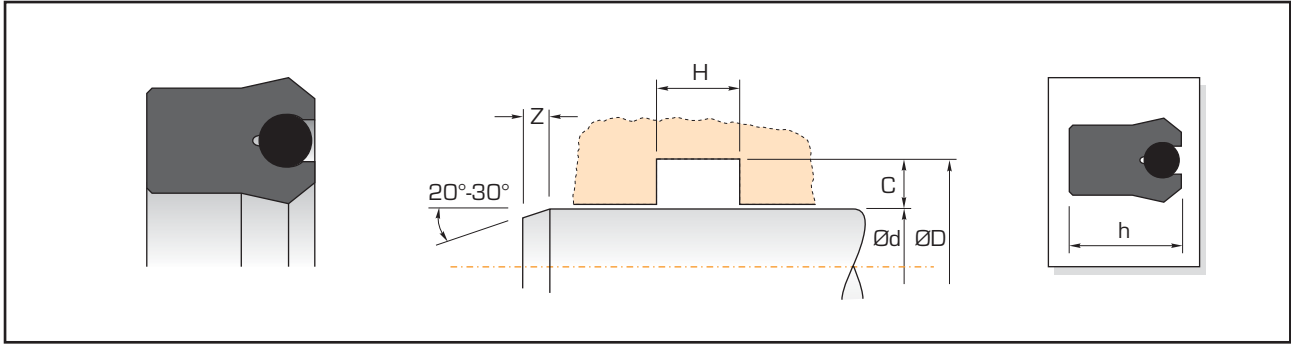


Imperial Sizes (cont'd)

Part No.	Ød	ØD	H	h
18702000-375B	2.000	2.375	0.413	0.375
25002000-375B	2.000	2.500	0.413	0.375
31202000-375B	2.000	2.625	0.413	0.375
31202000-500B	2.000	2.625	0.550	0.500
31202000-562B	2.000	2.625	0.619	0.562
37502000-437B	2.000	2.750	0.481	0.437
37502000-500B	2.000	2.750	0.550	0.500
37502000-625B	2.000	2.750	0.688	0.625
50002000-750B	2.000	3.000	0.825	0.750
12502125-250B	2.125	2.375	0.275	0.250
12502125-375B	2.125	2.375	0.413	0.375
18702125-250B	2.125	2.500	0.275	0.250
18702125-266B	2.125	2.500	0.293	0.266
18702125-312B	2.125	2.500	0.344	0.312
18702125-375B	2.125	2.500	0.413	0.375
25002125-250B	2.125	2.625	0.275	0.250
25002125-375B	2.125	2.625	0.413	0.375
31202125-500B	2.125	2.750	0.550	0.500
31202125-625B	2.125	2.750	0.688	0.625
37502125-625B	2.125	2.875	0.688	0.625
18702187-375B	2.187	2.562	0.413	0.375
37502187-625B	2.187	2.937	0.688	0.625
12502250-375B	2.250	2.500	0.413	0.375
18702250-312B	2.250	2.625	0.344	0.312
18702250-375B	2.250	2.625	0.413	0.375
25002250-375B	2.250	2.750	0.413	0.375
31202250-312B	2.250	2.875	0.344	0.312
31202250-500B	2.250	2.875	0.550	0.500
37502250-500B	2.250	3.000	0.550	0.500
37502250-625B	2.250	3.000	0.688	0.625
12502375-187B	2.375	2.625	0.206	0.187
18702375-250B	2.375	2.750	0.275	0.250
18702375-375B	2.375	2.750	0.413	0.375
18702375-500B	2.375	2.750	0.550	0.500
25002375-375B	2.375	2.875	0.413	0.375
31202375-500B	2.375	3.000	0.550	0.500

Imperial Sizes (cont'd)

Part No.	Ød	ØD	H	h
37502375-500B	2.375	3.125	0.550	0.500
37502375-625B	2.375	3.125	0.688	0.625
28102437-375B	2.437	3.000	0.413	0.375
12502500-250B	2.500	2.750	0.275	0.250
18702500-250B	2.500	2.875	0.275	0.250
18702500-312B	2.500	2.875	0.344	0.312
18702500-375B	2.500	2.875	0.413	0.375
25002500-250B	2.500	3.000	0.275	0.250
25002500-312B	2.500	3.000	0.344	0.312
25002500-375B	2.500	3.000	0.413	0.375
31202500-375B	2.500	3.125	0.413	0.375
31202500-500B	2.500	3.125	0.550	0.500
37502500-500B	2.500	3.250	0.550	0.500
37502500-625B	2.500	3.250	0.688	0.625
50002500-750B	2.500	3.500	0.825	0.750
18702625-250B	2.625	3.000	0.275	0.250
18702625-281B	2.625	3.000	0.309	0.281
18702625-312B	2.625	3.000	0.344	0.312
18702625-375B	2.625	3.000	0.413	0.375
25002625-375B	2.625	3.125	0.413	0.375
31202625-500B	2.625	3.250	0.550	0.500
37502625-625B	2.625	3.375	0.688	0.625
12502750-375B	2.750	3.000	0.413	0.375
18702750-187B	2.750	3.125	0.206	0.187
18702750-312B	2.750	3.125	0.344	0.312
18702750-375B	2.750	3.125	0.413	0.375
25002750-250B	2.750	3.250	0.275	0.250
25002750-375B	2.750	3.250	0.413	0.375
31202750-375B	2.750	3.375	0.413	0.375
31202750-500B	2.750	3.375	0.550	0.500
37502750-500B	2.750	3.500	0.550	0.500
37502750-625B	2.750	3.500	0.688	0.625
62502750-1000B	2.750	4.000	1.100	1.000
12502875-250B	2.875	3.125	0.275	0.250
18702875-250B	2.875	3.250	0.275	0.250
18702875-375B	2.875	3.250	0.413	0.375

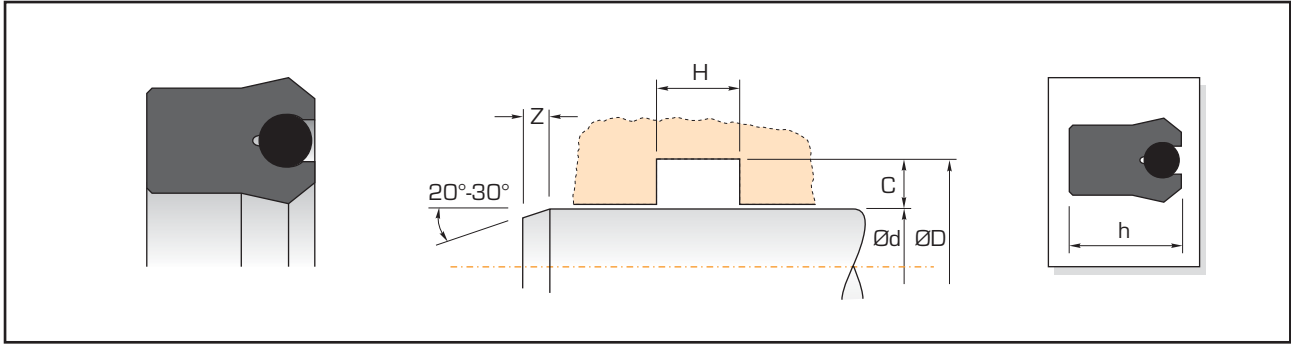


Imperial Sizes (cont'd)

Part No.	Ød	ØD	H	h
25002875-375B	2.875	3.375	0.413	0.375
25002875-562B	2.875	3.375	0.619	0.562
31202875-500B	2.875	3.500	0.550	0.500
37502875-500B	2.875	3.625	0.550	0.500
28102937-500B	2.937	3.500	0.550	0.500
12503000-375B	3.000	3.250	0.413	0.375
18703000-187B	3.000	3.375	0.206	0.187
18703000-250B	3.000	3.375	0.275	0.250
18703000-312B	3.000	3.375	0.344	0.312
18703000-375B	3.000	3.375	0.413	0.375
25003000-375B	3.000	3.500	0.413	0.375
25003000-500B	3.000	3.500	0.550	0.500
25003000-562B	3.000	3.500	0.619	0.562
31203000-375B	3.000	3.625	0.413	0.375
31203000-500B	3.000	3.625	0.550	0.500
37503000-500B	3.000	3.750	0.550	0.500
37503000-625B	3.000	3.750	0.688	0.625
50003000-625B	3.000	4.000	0.688	0.625
50003000-750B	3.000	4.000	0.825	0.750
18703125-250B	3.125	3.500	0.275	0.250
18703125-375B	3.125	3.500	0.413	0.375
25003125-250B	3.125	3.625	0.275	0.250
25003125-375B	3.125	3.625	0.413	0.375
31203125-375B	3.125	3.750	0.413	0.375
31203125-500B	3.125	3.750	0.550	0.500
37503125-625B	3.125	3.875	0.688	0.625
28103187-500B	3.187	3.750	0.550	0.500
18703250-312B	3.250	3.625	0.344	0.312
18703250-375B	3.250	3.625	0.413	0.375
25003250-375B	3.250	3.750	0.413	0.375
25003250-500B	3.250	3.750	0.550	0.500
31203250-312B	3.250	3.875	0.344	0.312
31203250-500B	3.250	3.875	0.550	0.500
37503250-500B	3.250	4.000	0.550	0.500
37503250-625B	3.250	4.000	0.688	0.625
50003250-750B	3.250	4.250	0.825	0.750

Imperial Sizes (cont'd)

Part No.	Ød	ØD	H	h
18703375-250B	3.375	3.750	0.275	0.250
18703375-375B	3.375	3.750	0.413	0.375
25003375-375B	3.375	3.875	0.413	0.375
25003375-562B	3.375	3.875	0.619	0.562
31203375-500B	3.375	4.000	0.550	0.500
37503375-625B	3.375	4.125	0.688	0.625
28103437-500B	3.437	4.000	0.550	0.500
12503500-375B	3.500	3.750	0.413	0.375
18703500-312B	3.500	3.875	0.344	0.312
18703500-375B	3.500	3.875	0.413	0.375
25003500-312B	3.500	4.000	0.344	0.312
25003500-375B	3.500	4.000	0.413	0.375
31203500-312B	3.500	4.125	0.344	0.312
31203500-375B	3.500	4.125	0.413	0.375
31203500-500B	3.500	4.125	0.550	0.500
37503500-500B	3.500	4.250	0.550	0.500
37503500-625B	3.500	4.250	0.688	0.625
50003500-750B	3.500	4.500	0.825	0.750
18703625-250B	3.625	4.000	0.275	0.250
18703625-312B	3.625	4.000	0.344	0.312
18703625-375B	3.625	4.000	0.413	0.375
25003625-375B	3.625	4.125	0.413	0.375
31203625-375B	3.625	4.250	0.413	0.375
31203625-500B	3.625	4.250	0.550	0.500
37503625-500B	3.625	4.375	0.550	0.500
37503625-625B	3.625	4.375	0.688	0.625
28103687-375B	3.687	4.250	0.413	0.375
18703750-187B	3.750	4.125	0.206	0.187
18703750-312B	3.750	4.125	0.344	0.312
18703750-375B	3.750	4.125	0.413	0.375
25003750-250B	3.750	4.250	0.275	0.250
25003750-375B	3.750	4.250	0.413	0.375
25003750-562B	3.750	4.250	0.619	0.562
31203750-375B	3.750	4.375	0.413	0.375
31203750-500B	3.750	4.375	0.550	0.500
31203750-625B	3.750	4.375	0.688	0.625

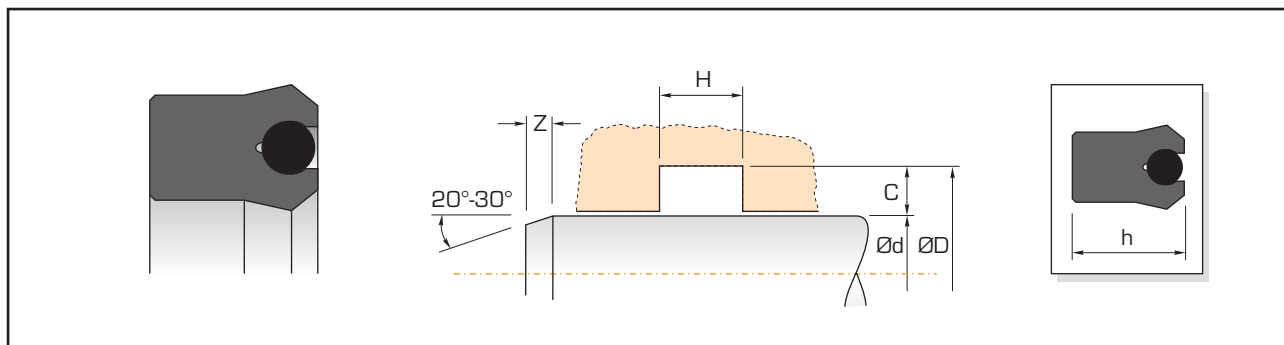


Imperial Sizes (cont'd)

Part No.	Ød	ØD	H	h
37503750-500B	3.750	4.500	0.550	0.500
37503750-625B	3.750	4.500	0.688	0.625
50003750-690B	3.750	4.750	0.759	0.690
50003750-750B	3.750	4.750	0.825	0.750
12503875-250B	3.875	4.125	0.275	0.250
18703875-375B	3.875	4.250	0.413	0.375
25003875-375B	3.875	4.375	0.413	0.375
31203875-500B	3.875	4.500	0.550	0.500
37503875-625B	3.875	4.625	0.688	0.625
43703875-750B	3.875	4.750	0.825	0.750
18704000-187B	4.000	4.375	0.206	0.187
18704000-250B	4.000	4.375	0.275	0.250
18704000-312B	4.000	4.375	0.344	0.312
18704000-375B	4.000	4.375	0.413	0.375
25004000-312B	4.000	4.500	0.344	0.312
25004000-375B	4.000	4.500	0.413	0.375
25004000-500B	4.000	4.500	0.550	0.500
25004000-562B	4.000	4.500	0.619	0.562
31204000-500B	4.000	4.625	0.550	0.500
31204000-562B	4.000	4.625	0.619	0.562
37504000-500B	4.000	4.750	0.550	0.500
37504000-625B	4.000	4.750	0.688	0.625
50004000-750B	4.000	5.000	0.825	0.750
75004000-1000B	4.000	5.500	1.100	1.000
18704125-250B	4.125	4.500	0.275	0.250
18704125-375B	4.125	4.500	0.413	0.375
25004125-250B	4.125	4.625	0.275	0.250
25004125-375B	4.125	4.625	0.413	0.375
31204125-500B	4.125	4.750	0.550	0.500
31204125-562B	4.125	4.750	0.619	0.562
31204125-625B	4.125	4.750	0.688	0.625
37504125-625B	4.125	4.875	0.688	0.625
18704250-312B	4.250	4.625	0.344	0.312
18704250-375B	4.250	4.625	0.413	0.375
25004250-375B	4.250	4.750	0.413	0.375
25004250-562B	4.250	4.750	0.619	0.562

Imperial Sizes (cont'd)

Part No.	Ød	ØD	H	h
31204250-312B	4.250	4.875	0.344	0.312
31204250-500B	4.250	4.875	0.550	0.500
31204250-562B	4.250	4.875	0.619	0.562
37504250-500B	4.250	5.000	0.550	0.500
37504250-625B	4.250	5.000	0.688	0.625
50004250-750B	4.250	5.250	0.825	0.750
18704375-375B	4.375	4.750	0.413	0.375
25004375-250B	4.375	4.875	0.275	0.250
25004375-562B	4.375	4.875	0.619	0.562
31204375-500B	4.375	5.000	0.550	0.500
31204375-562B	4.375	5.000	0.619	0.562
31204375-625B	4.375	5.000	0.688	0.625
37504375-625B	4.375	5.125	0.688	0.625
50004375-750B	4.375	5.375	0.825	0.750
12504500-187B	4.500	4.750	0.206	0.187
18704500-375B	4.500	4.875	0.413	0.375
25004500-312B	4.500	5.000	0.344	0.312
25004500-375B	4.500	5.000	0.413	0.375
25004500-500B	4.500	5.000	0.550	0.500
25004500-562B	4.500	5.000	0.619	0.562
25004500-625B	4.500	5.000	0.688	0.625
31204500-375B	4.500	5.125	0.413	0.375
31204500-625B	4.500	5.125	0.688	0.625
37504500-500B	4.500	5.250	0.550	0.500
37504500-625B	4.500	5.250	0.688	0.625
43704500-750B	4.500	5.375	0.825	0.750
50004500-750B	4.500	5.500	0.825	0.750
18704625-250B	4.625	5.000	0.275	0.250
18704625-312B	4.625	5.000	0.344	0.312
18704625-375B	4.625	5.000	0.413	0.375
25004625-250B	4.625	5.125	0.275	0.250
25004625-562B	4.625	5.125	0.619	0.562
31204625-625B	4.625	5.250	0.688	0.625
37504625-625B	4.625	5.375	0.688	0.625
18704750-375B	4.750	5.125	0.413	0.375
25004750-375B	4.750	5.250	0.413	0.375

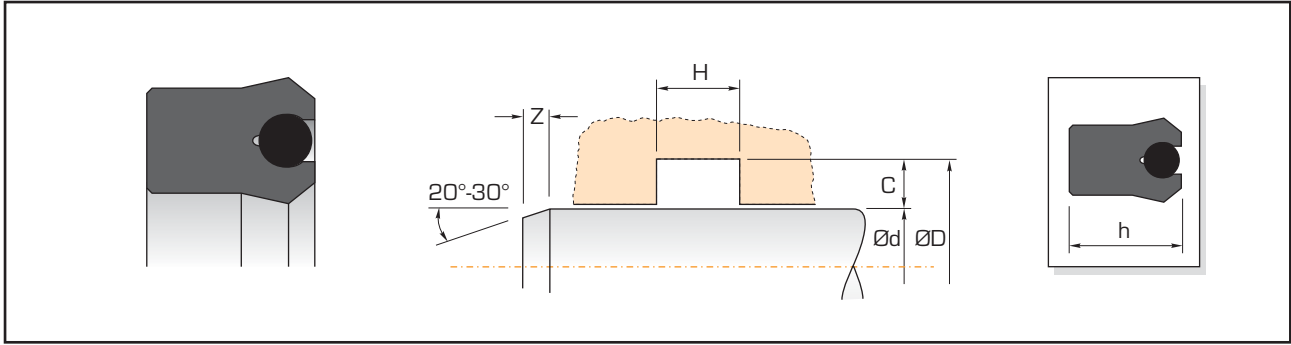


Imperial Sizes (cont'd)

Part No.	Ød	ØD	H	h
25004750-500B	4.750	5.250	0.550	0.500
25004750-562B	4.750	5.250	0.619	0.562
31204750-500B	4.750	5.375	0.550	0.500
31204750-625B	4.750	5.375	0.688	0.625
37504750-500B	4.750	5.500	0.550	0.500
37504750-625B	4.750	5.500	0.688	0.625
43704750-750B	4.750	5.625	0.825	0.750
50004750-690B	4.750	5.750	0.759	0.690
62504750-750B	4.750	6.000	0.825	0.750
12504875-250B	4.875	5.125	0.275	0.250
18704875-375B	4.875	5.250	0.413	0.375
25004875-375B	4.875	5.375	0.413	0.375
25004875-562B	4.875	5.375	0.619	0.562
25004875-625B	4.875	5.375	0.688	0.625
37504875-625B	4.875	5.625	0.688	0.625
43704875-562B	4.875	5.750	0.619	0.562
18705000-375B	5.000	5.375	0.413	0.375
25005000-375B	5.000	5.500	0.413	0.375
25005000-500B	5.000	5.500	0.550	0.500
25005000-562B	5.000	5.500	0.619	0.562
31205000-625B	5.000	5.625	0.688	0.625
37505000-500B	5.000	5.750	0.550	0.500
37505000-625B	5.000	5.750	0.688	0.625
50005000-750B	5.000	6.000	0.825	0.750
31205125-562B	5.125	5.750	0.619	0.562
37505125-625B	5.125	5.875	0.688	0.625
25005250-375B	5.250	5.750	0.413	0.375
25005250-562B	5.250	5.750	0.619	0.562
31205250-625B	5.250	5.875	0.688	0.625
37505250-500B	5.250	6.000	0.550	0.500
37505250-625B	5.250	6.000	0.688	0.625
37505250-750B	5.250	6.000	0.825	0.750
50005250-750B	5.250	6.250	0.825	0.750
62505250-1000B	5.250	6.500	1.100	1.000
25005375-562B	5.375	5.875	0.619	0.562
31205375-625B	5.375	6.000	0.688	0.625

Imperial Sizes (cont'd)

Part No.	Ød	ØD	H	h
37505375-625B	5.375	6.125	0.688	0.625
18705500-375B	5.500	5.875	0.413	0.375
25005500-375B	5.500	6.000	0.413	0.375
25005500-562B	5.500	6.000	0.619	0.562
37505500-500B	5.500	6.250	0.550	0.500
37505500-625B	5.500	6.250	0.688	0.625
50005500-750B	5.500	6.500	0.825	0.750
37505625-625B	5.625	6.375	0.688	0.625
25005750-375B	5.750	6.250	0.413	0.375
25005750-562B	5.750	6.250	0.619	0.562
31205750-625B	5.750	6.375	0.688	0.625
37505750-500B	5.750	6.500	0.550	0.500
37505750-625B	5.750	6.500	0.688	0.625
50005750-750B	5.750	6.750	0.825	0.750
31205875-625B	5.875	6.500	0.688	0.625
37505875-625B	5.875	6.625	0.688	0.625
25006000-375B	6.000	6.500	0.413	0.375
25006000-437B	6.000	6.500	0.481	0.437
25006000-500B	6.000	6.500	0.550	0.500
25006000-562B	6.000	6.500	0.619	0.562
31206000-625B	6.000	6.625	0.688	0.625
37506000-500B	6.000	6.750	0.550	0.500
37506000-625B	6.000	6.750	0.688	0.625
50006000-750B	6.000	7.000	0.825	0.750
75006000-1250B	6.000	7.500	1.375	1.250
18706250-312B	6.250	6.625	0.344	0.312
25006250-375B	6.250	6.750	0.413	0.375
25006250-562B	6.250	6.750	0.619	0.562
37506250-500B	6.250	7.000	0.550	0.500
37506250-625B	6.250	7.000	0.688	0.625
50006250-750B	6.250	7.250	0.825	0.750
31206375-625B	6.375	7.000	0.688	0.625
25006500-250B	6.500	7.000	0.275	0.250
25006500-375B	6.500	7.000	0.413	0.375
25006500-500B	6.500	7.000	0.550	0.500
25006500-562B	6.500	7.000	0.619	0.562

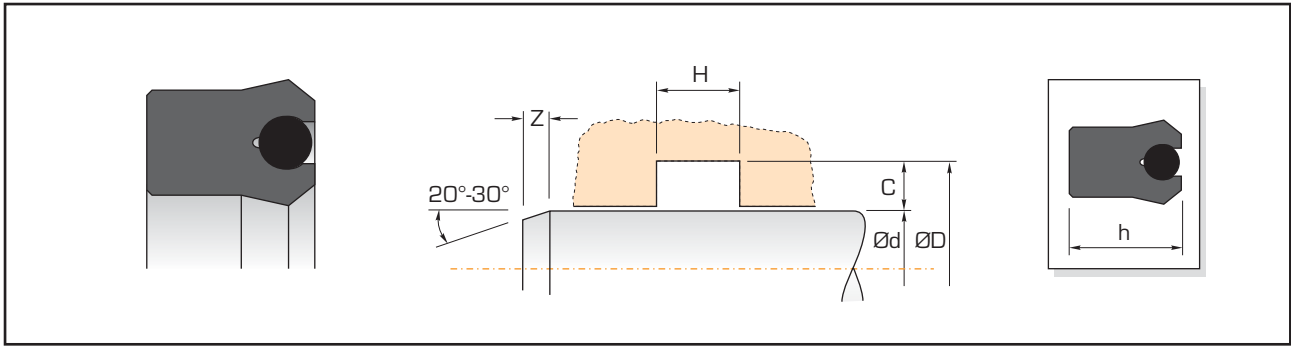


Imperial Sizes (cont'd)

Part No.	Ød	ØD	H	h
31206500-625B	6.500	7.125	0.688	0.625
37506500-500B	6.500	7.250	0.550	0.500
37506500-625B	6.500	7.250	0.688	0.625
50006500-750B	6.500	7.500	0.825	0.750
31206625-625B	6.625	7.250	0.688	0.625
25006750-375B	6.750	7.250	0.413	0.375
25006750-500B	6.750	7.250	0.550	0.500
25006750-562B	6.750	7.250	0.619	0.562
31206750-625B	6.750	7.375	0.688	0.625
37506750-500B	6.750	7.500	0.550	0.500
37506750-625B	6.750	7.500	0.688	0.625
50006750-750B	6.750	7.750	0.825	0.750
37506875-625B	6.875	7.625	0.688	0.625
25007000-375B	7.000	7.500	0.413	0.375
25007000-500B	7.000	7.500	0.550	0.500
25007000-562B	7.000	7.500	0.619	0.562
31207000-500B	7.000	7.625	0.550	0.500
31207000-625B	7.000	7.625	0.688	0.625
37507000-500B	7.000	7.750	0.550	0.500
37507000-625B	7.000	7.750	0.688	0.625
50007000-750B	7.000	8.000	0.825	0.750
62507000-1000B	7.000	8.250	1.100	1.000
25007250-562B	7.250	7.750	0.619	0.562
31207250-625B	7.250	7.875	0.688	0.625
37507250-500B	7.250	8.000	0.550	0.500
37507250-625B	7.250	8.000	0.688	0.625
37507250-750B	7.250	8.000	0.825	0.750
50007250-750B	7.250	8.250	0.825	0.750
31207375-500B	7.375	8.000	0.550	0.500
31207375-625B	7.375	8.000	0.688	0.625
25007500-375B	7.500	8.000	0.413	0.375
25007500-500B	7.500	8.000	0.550	0.500
25007500-562B	7.500	8.000	0.619	0.562
37507500-500B	7.500	8.250	0.550	0.500
37507500-625B	7.500	8.250	0.688	0.625
50007500-750B	7.500	8.500	0.825	0.750

Imperial Sizes (cont'd)

Part No.	Ød	ØD	H	h
62507500-1000B	7.500	8.750	1.100	1.000
25007750-375B	7.750	8.250	0.413	0.375
37507750-500B	7.750	8.500	0.550	0.500
37507750-625B	7.750	8.500	0.688	0.625
50007750-750B	7.750	8.750	0.825	0.750
25008000-250B	8.000	8.500	0.275	0.250
25008000-562B	8.000	8.500	0.619	0.562
31208000-500B	8.000	8.625	0.550	0.500
31208000-625B	8.000	8.625	0.688	0.625
37508000-625B	8.000	8.750	0.688	0.625
50008000-750B	8.000	9.000	0.825	0.750
25008125-562B	8.125	8.625	0.619	0.562
25008250-375B	8.250	8.750	0.413	0.375
25008250-562B	8.250	8.750	0.619	0.562
37508250-625B	8.250	9.000	0.688	0.625
62508250-1000B	8.250	9.500	1.100	1.000
25008500-375B	8.500	9.000	0.413	0.375
25008500-500B	8.500	9.000	0.550	0.500
25008500-562B	8.500	9.000	0.619	0.562
31208500-625B	8.500	9.125	0.688	0.625
37508500-625B	8.500	9.250	0.688	0.625
50008500-750B	8.500	9.500	0.825	0.750
62508500-1000B	8.500	9.750	1.100	1.000
75008500-1125B	8.500	10.000	1.237	1.125
37508750-625B	8.750	9.500	0.688	0.625
31209000-500B	9.000	9.625	0.550	0.500
37509000-625B	9.000	9.750	0.688	0.625
50009000-750B	9.000	10.000	0.825	0.750
31209250-625B	9.250	9.875	0.688	0.625
37509250-500B	9.250	10.000	0.550	0.500
37509250-625B	9.250	10.000	0.688	0.625
50009250-750B	9.250	10.250	0.825	0.750
25009500-562B	9.500	10.000	0.619	0.562
37509500-625B	9.500	10.250	0.688	0.625
50009500-750B	9.500	10.500	0.825	0.750
25009750-562B	9.750	10.250	0.619	0.562



Imperial Sizes (cont'd)

Part No.	Ød	ØD	H	h
37509750-500B	9.750	10.500	0.550	0.500
37509750-625B	9.750	10.500	0.688	0.625
25010000-562B	10.000	10.500	0.619	0.562
37510000-625B	10.000	10.750	0.688	0.625
50010000-750B	10.000	11.000	0.825	0.750
62510000-1000B	10.000	11.250	1.100	1.000
37510500-625B	10.500	11.250	0.688	0.625
50010500-1000B	10.500	11.500	1.100	1.000
75010500-1000B	10.500	12.000	1.100	1.000
75010500-1250B	10.500	12.000	1.375	1.250
37510750-625B	10.750	11.500	0.688	0.625
37511000-625B	11.000	11.750	0.688	0.625
50011000-750B	11.000	12.000	0.825	0.750
62511000-1000B	11.000	12.250	1.100	1.000
75011000-1250B	11.000	12.500	1.375	1.250
37511250-625B	11.250	12.000	0.688	0.625
62511250-1000B	11.250	12.500	1.100	1.000
37511500-625B	11.500	12.250	0.688	0.625
50011500-750B	11.500	12.500	0.825	0.750
37512000-625B	12.000	12.750	0.688	0.625
50012000-750B	12.000	13.000	0.825	0.750
37512250-625B	12.250	13.000	0.688	0.625
62512250-1000B	12.250	13.500	1.100	1.000
50012500-750B	12.500	13.500	0.825	0.750
75012500-1250B	12.500	14.000	1.375	1.250
50012750-750B	12.750	13.750	0.825	0.750
50013000-750B	13.000	14.000	0.825	0.750
37513250-625B	13.250	14.000	0.688	0.625
50013500-750B	13.500	14.500	0.825	0.750
62513500-875B	13.500	14.750	0.962	0.875
37513750-625B	13.750	14.500	0.688	0.625
50013750-750B	13.750	14.750	0.825	0.750
100014000-1500B	14.000	16.000	1.650	1.500
75014500-1125B	14.500	16.000	1.237	1.125
37514750-625B	14.750	15.500	0.688	0.625
50015000-750B	15.000	16.000	0.825	0.750

Imperial Sizes (cont'd)

Part No.	Ød	ØD	H	h
37515250-625B	15.250	16.000	0.688	0.625
50015500-750B	15.500	16.500	0.825	0.750
62515500-1000B	15.500	16.750	1.100	1.000
50015750-750B	15.750	16.750	0.825	0.750
25016000-375B	16.000	16.500	0.413	0.375
75016000-1250B	16.000	17.500	1.375	1.250
100016000-1250B	16.000	18.000	1.375	1.250
50017000-750B	17.000	18.000	0.825	0.750
62517250-1000B	17.250	18.500	1.100	1.000
50018000-750B	18.000	19.000	0.825	0.750
62518000-1000B	18.000	19.250	1.100	1.000
50018250-750B	18.250	19.250	0.825	0.750
50018500-750B	18.500	19.500	0.825	0.750
62518750-1000B	18.750	20.000	1.100	1.000
50020000-750B	20.000	21.000	0.825	0.750
25021000-312B	21.000	21.500	0.344	0.312
100021000-1500B	21.000	23.000	1.650	1.500
100023000-1250B	23.000	25.000	1.375	1.250
75024000-1250B	24.000	25.500	1.375	1.250
50025000-750B	25.000	26.000	0.825	0.750
50030250-750B	30.250	31.250	0.825	0.750
50031000-750B	31.000	32.000	0.825	0.750