

- Category**
- Seal, Single Acting Rod
- Construction**
- Hythane asymmetric twin lip rod U-ring with knifed sealing lips
- Housing**
- Rectangular groove in one piece gland
- Duty**
- Medium
- Features**
- Manufactured from industry leading Hythane polymer
 - Dry rod sealing
 - Solid U-ring reduces sensitivity to pressure fluctuations
- Comments**
- Design optimised for thin cross sections
- Manufacturer**
- Hallite
- Size Range**
- Metric & imperial

Metric Specifications

| | | |
|-----------------------------|--------------------|---------------|
| Operating Conditions | Maximum Speed: | 1.0 m/sec |
| | Temperature Range: | -45°C ~ 110°C |
| | Maximum Pressure: | 400 bar |

| | | |
|-----------------------|-----------------------|----------------|
| Surface Finish | Dynamic Sealing Face: | 0.1 ~ 0.4 µmRa |
| | Static Sealing Face: | 1.6 µmRa max |
| | Other Faces: | 3.2 µmRa max |

Extrusion Gap (Diametral)

| | | | |
|------------------|------|------|------|
| Pressure (bar) | 160 | 250 | 400 |
| Maximum gap (mm) | 0.60 | 0.50 | 0.40 |

Chamfers

| | |
|----------------------|-------------------------|
| Minimum Z = C x 0.85 | where C = (ØD - Ød) ÷ 2 |
|----------------------|-------------------------|

Imperial Specifications

| | | |
|-----------------------------|--------------------|---------------|
| Operating Conditions | Maximum Speed: | 3.0 ft/sec |
| | Temperature Range: | -50°F ~ 230°F |
| | Maximum Pressure: | 6000 psi |

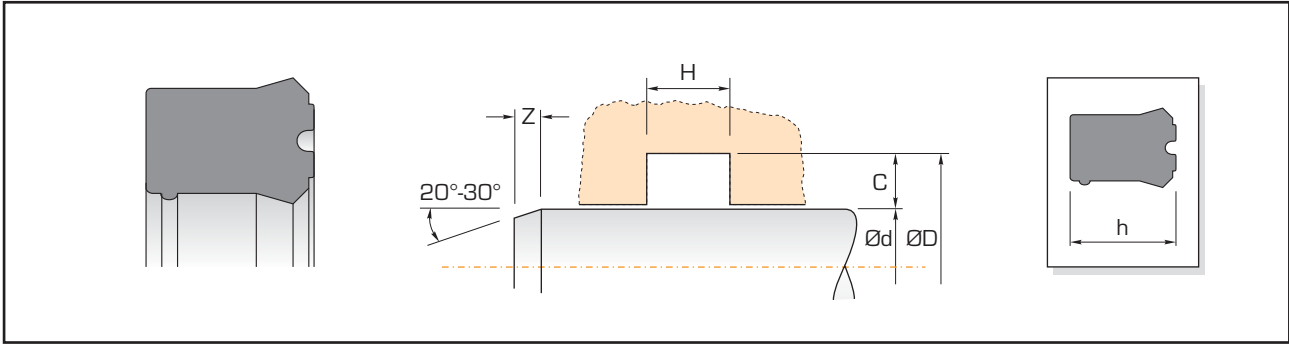
| | | |
|-----------------------|-----------------------|----------------|
| Surface Finish | Dynamic Sealing Face: | 4 ~ 16 µinCLA |
| | Static Sealing Face: | 63 µinCLA max |
| | Other Faces: | 125 µinCLA max |

Extrusion Gap (Diametral)

| | | | |
|------------------|-------|-------|-------|
| Pressure (psi) | 2400 | 3750 | 6000 |
| Maximum gap (in) | 0.024 | 0.020 | 0.016 |

Chamfers

| | |
|----------------------|-------------------------|
| Minimum Z = C x 0.85 | where C = (ØD - Ød) ÷ 2 |
|----------------------|-------------------------|



Metric Sizes

| Part No. | Ød | ØD | H | h |
|-------------------|-----------|-------------|-----------------|-------|
| <i>Tolerances</i> | <i>f8</i> | <i>JS11</i> | <i>+0.25 -0</i> | |
| M168-5.3-610 | 8.00 | 16.00 | 6.00 | 5.30 |
| M2214-5.3-610 | 14.00 | 22.00 | 6.00 | 5.30 |
| M2416-6-610 | 16.00 | 24.00 | 7.00 | 6.00 |
| M2518-4.6-610 | 18.00 | 25.00 | 5.20 | 4.60 |
| M2620-4.5-610 | 20.00 | 26.00 | 5.00 | 4.50 |
| M2820-6-610 | 20.00 | 28.00 | 7.00 | 6.00 |
| M2822-4.5-610 | 22.00 | 28.00 | 5.00 | 4.50 |
| M2922-4.6-610 | 22.00 | 29.00 | 5.20 | 4.60 |
| M3022-6-610 | 22.00 | 30.00 | 7.00 | 6.00 |
| M3022-7-610 | 22.00 | 30.00 | 8.00 | 7.00 |
| M3325-6-610 | 25.00 | 33.00 | 7.00 | 6.00 |
| M3325-8-610 | 25.00 | 33.00 | 9.00 | 8.00 |
| M3628-5.3-610 | 28.00 | 36.00 | 6.00 | 5.30 |
| M3628-6-610 | 28.00 | 36.00 | 7.00 | 6.00 |
| M3628-8-610 | 28.00 | 36.00 | 9.00 | 8.00 |
| M3830-6-610 | 30.00 | 38.00 | 7.00 | 6.00 |
| M3830-8-610 | 30.00 | 38.00 | 9.00 | 8.00 |
| M4030-7-610 | 30.00 | 40.00 | 8.00 | 7.00 |
| M4032-6-610 | 32.00 | 40.00 | 7.00 | 6.00 |
| M4335-6-610 | 35.00 | 43.00 | 7.00 | 6.00 |
| M4335-8-610 | 35.00 | 43.00 | 9.00 | 8.00 |
| M4535-10-610 | 35.00 | 45.00 | 11.00 | 10.00 |
| M4436-5.3-610 | 36.00 | 44.00 | 6.00 | 5.30 |
| M4436-8-610 | 36.00 | 44.00 | 9.00 | 8.00 |
| M4636-10-610 | 36.00 | 46.00 | 11.00 | 10.00 |
| M4840-5.4-610 | 40.00 | 48.00 | 6.00 | 5.40 |
| M4840-6.5-610 | 40.00 | 48.00 | 7.30 | 6.50 |
| M4840-8-610 | 40.00 | 48.00 | 9.00 | 8.00 |
| M5245-10-610 | 45.00 | 52.00 | 11.00 | 10.00 |
| M5345-5.3-610 | 45.00 | 53.00 | 6.00 | 5.30 |
| M5345-6-610 | 45.00 | 53.00 | 7.00 | 6.00 |
| M5345-8-610 | 45.00 | 53.00 | 9.00 | 8.00 |
| M5545-10-610 | 45.00 | 55.00 | 11.00 | 10.00 |
| M5850-5.3-610 | 50.00 | 58.00 | 6.00 | 5.30 |
| M5850-8-610 | 50.00 | 58.00 | 9.00 | 8.00 |

Metric Sizes (cont'd)

| Part No. | Ød | ØD | H | h |
|----------------|--------|--------|-------|-------|
| M6050-10-610 | 50.00 | 60.00 | 11.00 | 10.00 |
| M6355-8-610 | 55.00 | 63.00 | 9.00 | 8.00 |
| M6555-7-610 | 55.00 | 65.00 | 8.00 | 7.00 |
| M6555-10-610 | 55.00 | 65.00 | 11.00 | 10.00 |
| M6555-11.8-610 | 55.00 | 65.00 | 13.00 | 11.80 |
| M6456-8-610 | 56.00 | 64.00 | 9.00 | 8.00 |
| M6656-6.5-610 | 56.00 | 66.00 | 7.30 | 6.50 |
| M6860-7-610 | 60.00 | 68.00 | 8.00 | 7.00 |
| M6860-8-610 | 60.00 | 68.00 | 9.00 | 8.00 |
| M6860-11.4-610 | 60.00 | 68.00 | 12.50 | 11.40 |
| M7060-7-610 | 60.00 | 70.00 | 8.00 | 7.00 |
| M7060-11.8-610 | 60.00 | 70.00 | 13.00 | 11.80 |
| M7163-8-610 | 63.00 | 71.00 | 9.00 | 8.00 |
| M7563-8.6-610 | 63.00 | 75.00 | 9.60 | 8.60 |
| M7365-8-610 | 65.00 | 73.00 | 9.00 | 8.00 |
| M7565-11.8-610 | 65.00 | 75.00 | 13.00 | 11.80 |
| M7870-8-610 | 70.00 | 78.00 | 9.00 | 8.00 |
| M8070-6.5-610 | 70.00 | 80.00 | 7.30 | 6.50 |
| M8070-11.8-610 | 70.00 | 80.00 | 13.00 | 11.80 |
| M8375-8-610 | 75.00 | 83.00 | 9.00 | 8.00 |
| M8880-8-610 | 80.00 | 88.00 | 9.00 | 8.00 |
| M9785-9-610 | 85.00 | 97.00 | 10.00 | 9.00 |
| M9587-8-610 | 87.00 | 95.00 | 9.00 | 8.00 |
| M9890-8-610 | 90.00 | 98.00 | 9.00 | 8.00 |
| M108100-8-610 | 100.00 | 108.00 | 9.00 | 8.00 |
| M147134-12-610 | 134.00 | 147.00 | 13.00 | 12.00 |

Imperial Sizes

| Part No. | Ød | ØD | H | h |
|-------------------|-----------|-------------|------------------|-------|
| <i>Tolerances</i> | <i>f8</i> | <i>JS11</i> | <i>+0.015 -0</i> | |
| 18701750-250-610 | 1.750 | 2.125 | 0.275 | 0.250 |
| 18701750-375-610 | 1.750 | 2.125 | 0.413 | 0.375 |
| 25002000-375-610 | 2.000 | 2.500 | 0.413 | 0.375 |