

## Category

- Seal, Single Acting Rod

## Construction

- Hythane asymmetric twin lip rod U-ring with knifed sealing lips

## Housing

- Rectangular groove in one piece gland

## Duty

- Medium to light

## Features

- Manufactured from industry leading Hythane polymer
- Dry rod sealing
- Solid U-ring reduces sensitivity to pressure fluctuations

## Manufacturer

- Hallite

## Size Range

- Metric & imperial

## Metric Specifications

### Operating Conditions

Maximum Speed:	1.0 m/sec
Temperature Range:	-45°C ~ 110°C
Maximum Pressure:	400 bar

### Surface Finish

Dynamic Sealing Face:	0.1 ~ 0.4 µmRa
Static Sealing Face:	1.6 µmRa max
Other Faces:	3.2 µmRa max

### Extrusion Gap (Diametral)

Pressure (bar)	160	250	400
Maximum gap (mm)	0.60	0.50	0.40

### Chamfers

Minimum $Z = C \times 0.85$	where $C = (\varnothing D - \varnothing d) \div 2$
-----------------------------	--

## Imperial Specifications

### Operating Conditions

Maximum Speed:	3.0 ft/sec
Temperature Range:	-50°F ~ 230°F
Maximum Pressure:	6000 psi

### Surface Finish

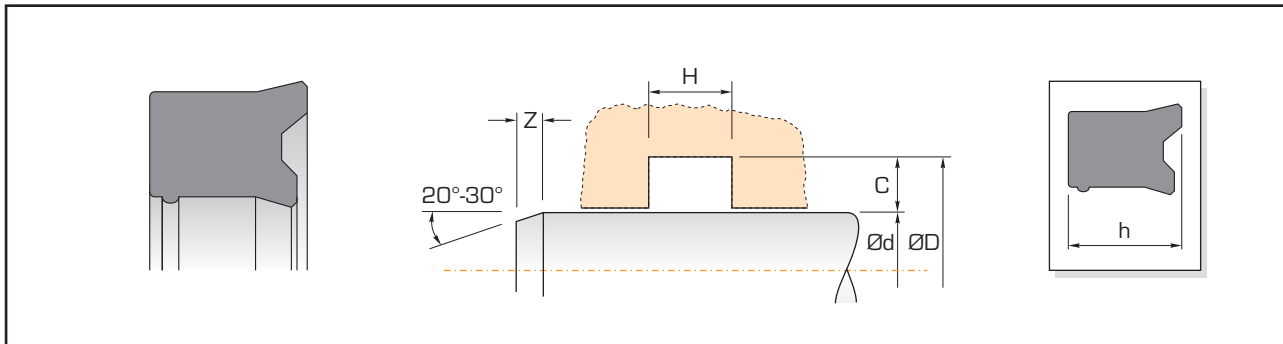
Dynamic Sealing Face:	4 ~ 16 µinCLA
Static Sealing Face:	63 µinCLA max
Other Faces:	125 µinCLA max

### Extrusion Gap (Diametral)

Pressure (psi)	2400	3750	6000
Maximum gap (in)	0.024	0.020	0.016

### Chamfers

Minimum $Z = C \times 0.85$	where $C = (\varnothing D - \varnothing d) \div 2$
-----------------------------	--



## Metric Sizes

Part No.	Ød	ØD	H	h
<i>Tolerances</i>	<i>f8</i>	<i>JS11</i>	<i>+0.25 -0</i>	
M2010-6.8-651	10.00	20.00	7.50	6.80
M3220-6-651	20.00	32.00	7.00	6.00
M3828-7-651	28.00	38.00	8.00	7.00
M4535-7.2-651	35.00	45.00	8.00	7.20
M6050-7-651	50.00	60.00	8.00	7.00
M6555-10-651	55.00	65.00	11.00	10.00
M10597-11.5-651	97.00	105.00	12.50	11.50
M123115-11.5-651	115.00	123.00	12.50	11.50
M130120-13.5-651	120.00	130.00	14.50	13.50
M143135-11.5-651	135.00	143.00	12.50	11.50
M163155-11.5-651	155.00	163.00	12.50	11.50

## Imperial Sizes

Part No.	Ød	ØD	H	h
<i>Tolerances</i>	<i>f8</i>	<i>JS11</i>	<i>+0.015 -0</i>	
12500250-250-651	0.250	0.500	0.275	0.250
12501062-187-651	1.062	1.312	0.206	0.187
12501125-185-651	1.125	1.375	0.204	0.185
12501125-250-651	1.125	1.375	0.275	0.250
12501250-187-651	1.250	1.500	0.206	0.187
12501250-250-651	1.250	1.500	0.275	0.250
18701250-187-651	1.250	1.625	0.206	0.187
12501500-185-651	1.500	1.750	0.204	0.185
31201500-281-651	1.500	2.125	0.319	0.281
18702000-258-651	2.000	2.375	0.284	0.258
18702000-281-651	2.000	2.375	0.309	0.281
25002000-312-651	2.000	2.500	0.344	0.312
25002000-375-651	2.000	2.500	0.413	0.375
31203250-500-651	3.250	3.875	0.550	0.500
31203375-594-651	3.375	4.000	0.653	0.594