

- Category**
- Seal, Single Acting Rod
- Construction**
- Urethane asymmetric twin lip rod U-ring with knifed sealing lips
- Housing**
- Rectangular groove in one piece gland
- Duty**
- Medium to light
- Features**
- Second sealing lip on heel for stability, primary lip protection and dry rod sealing
- Comments**
- An excellent all round rod seal providing excellent performance over a broad range of operating conditions
- Size Range**
- Metric

**Metric Specifications**

**Operating Conditions**

Maximum Speed:	0.8 m/sec
Temperature Range:	-40°C ~ 105°C
Maximum Pressure:	500 bar

**Surface Finish**

Dynamic Sealing Face:	0.1 ~ 0.4 µmRa
Static Sealing Face:	1.6 µmRa max
Other Faces:	3.2 µmRa max

**Extrusion Gap (Diametral)**

Pressure (bar)	100	200	300	400	500
Maximum gap (mm)	0.80	0.40	0.25	0.17	0.10

**Chamfers**

Minimum $Z = C \times 0.85$	where $C = (\text{ØD} - \text{Ød}) \div 2$
-----------------------------	--

**Imperial Specifications**

**Operating Conditions**

Maximum Speed:	2.5 ft/sec
Temperature Range:	-40°F ~ 220°F
Maximum Pressure:	7500 psi

**Surface Finish**

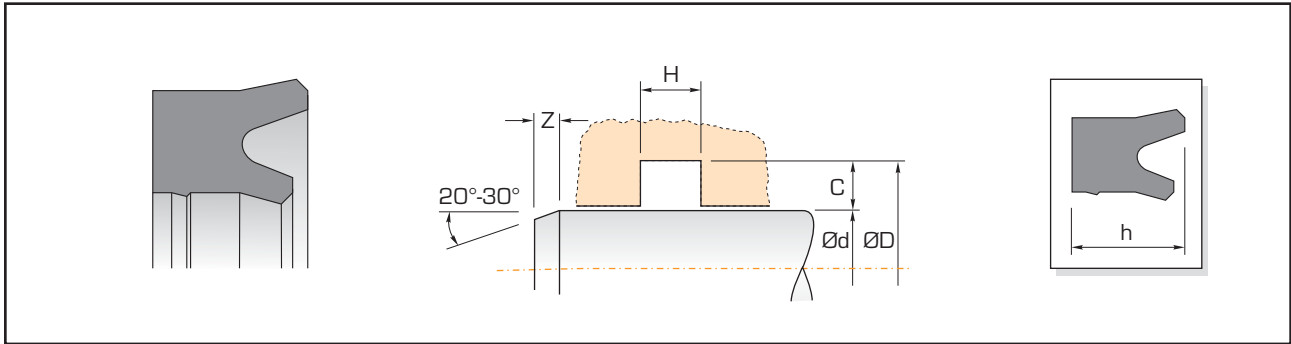
Dynamic Sealing Face:	4 ~ 16 µinCLA
Static Sealing Face:	63 µinCLA max
Other Faces:	125 µinCLA max

**Extrusion Gap (Diametral)**

Pressure (psi)	1500	3000	4500	6000	7500
Maximum gap (in)	0.030	0.016	0.010	0.007	0.004

**Chamfers**

Minimum $Z = C \times 0.85$	where $C = (\text{ØD} - \text{Ød}) \div 2$
-----------------------------	--



## Metric Sizes

Part No.	Ød	ØD	H	h
<i>Tolerances</i>	<i>f7</i>	<i>H10</i>	<i>+0.25 -0</i>	
M2615-7-RSL	15.00	26.00	8.00	7.00
M2618-8-RSL	18.00	26.00	9.00	8.00
M3828-7.5-RSL	28.00	38.00	8.50	7.50
M4335-7.2-RSL	35.00	43.00	8.00	7.20
M4636-7.5-RSL	36.00	46.00	8.50	7.50
M5042-11.5-RSL	42.00	50.00	12.50	11.50
M5342-9-RSL	42.00	53.00	10.00	9.00
M5545-11.5-RSL	45.00	55.00	12.50	11.50
M5750-10-RSL	50.00	57.00	11.00	10.00
M5850-11.5-RSL	50.00	58.00	12.50	11.50
M6550-15.5-RSL	50.00	65.00	16.50	15.50
M7050-14-RSL	50.00	70.00	15.00	14.00
M6355-11.5-RSL	55.00	63.00	12.50	11.50
M6555-8.5-RSL	55.00	65.00	9.50	8.50
M6858-11.5-RSL	58.00	68.00	12.50	11.50
M6860-11.5-RSL	60.00	68.00	12.50	11.50
M7560-15.5-RSL	60.00	75.00	16.50	15.50
M7563-10-RSL	63.00	75.00	11.00	10.00
M8363-13.5-RSL	63.00	83.00	14.50	13.50
M7365-11.5-RSL	65.00	73.00	12.50	11.50
M7565-10-RSL	65.00	75.00	11.00	10.00
M7870-11.5-RSL	70.00	78.00	12.50	11.50
M7970-13-RSL	70.00	79.00	14.00	13.00
M8570-11.5-RSL	70.00	85.00	12.50	11.50
M8375-11.5-RSL	75.00	83.00	12.50	11.50
M8575-8.7-RSL	75.00	85.00	9.50	8.70
M8575-10-RSL	75.00	85.00	11.00	10.00
M8878-12-RSL	78.00	88.00	13.00	12.00
M9078-12-RSL	78.00	90.00	13.00	12.00
M8880-11.5-RSL	80.00	88.00	12.50	11.50
M92.585-9-RSL	85.00	92.50	10.00	9.00
M9385-11.5-RSL	85.00	93.00	12.50	11.50
M9890-11.5-RSL	90.00	98.00	12.50	11.50
M10590-11.5-RSL	90.00	105.00	12.50	11.50
M10395-11.5-RSL	95.00	103.00	12.50	11.50

## Metric Sizes (cont'd)

Part No.	Ød	ØD	H	h
M10595-8.7-RSL	95.00	105.00	9.50	8.70
M10595-12-RSL	95.00	105.00	13.00	12.00
M10597-11.5-RSL	97.00	105.00	12.50	11.50
M10597-13.5-RSL	97.00	105.00	14.50	13.50
M10697-14-RSL	97.00	106.00	15.00	14.00
M10999-12-RSL	99.00	109.00	13.00	12.00
M108100-11.5-RSL	100.00	108.00	12.50	11.50
M110100-10-RSL	100.00	110.00	11.00	10.00
M110100-11.5-RSL	100.00	110.00	12.50	11.50
M113105-11.5-RSL	105.00	113.00	12.50	11.50
M113105-13.5-RSL	105.00	113.00	14.50	13.50
M115105-11.5-RSL	105.00	115.00	12.50	11.50
M118110-11.5-RSL	110.00	118.00	12.50	11.50
M122112-10-RSL	112.00	122.00	11.00	10.00
M123113-8.7-RSL	113.00	123.00	9.50	8.70
M123115-11.5-RSL	115.00	123.00	12.50	11.50
M125115-12-RSL	115.00	125.00	13.00	12.00
M130115-10-RSL	115.00	130.00	11.00	10.00
M126118-11.5-RSL	118.00	126.00	12.50	11.50
M126118-13.5-RSL	118.00	126.00	14.50	13.50
M128120-11.5-RSL	120.00	128.00	12.50	11.50
M135121-9-RSL	121.00	135.00	10.00	9.00
M135125-10-RSL	125.00	135.00	11.00	10.00
M140127-11.5-RSL	127.00	140.00	12.50	11.50