

TRANSEALS TRANSEALS TRANSEALS TRANSEALS TRANSEALS TRANSEALS TRANSEALS TRANSEALS TRANSEALS TRANSEALS

Category

- Seal, Single Acting Rod or Piston

Construction

- Urethane symmetrical U-ring with knifed sealing lips

Housing

- Rectangular groove in one piece gland or piston

Duty

- Medium to light

Comments

- Classic symmetrical U-ring design

Size Range

- Metric

Metric Specifications

Operating Conditions

Maximum Speed:	0.8 m/sec
Temperature Range:	-40°C ~ 105°C
Maximum Pressure:	500 bar

Surface Finish

Dynamic Sealing Face:	0.1 ~ 0.4 µmRa
Static Sealing Face:	1.6 µmRa max
Other Faces:	3.2 µmRa max

Extrusion Gap (Diametral)

Pressure (bar)	100	200	300	400	500
Maximum gap (mm)	0.80	0.40	0.25	0.17	0.10

Chamfers

$$\text{Minimum } Z = C \times 0.85 \quad \text{where } C = (\text{ØD} - \text{Ød}) \div 2$$

Imperial Specifications

Operating Conditions

Maximum Speed:	2.5 ft/sec
Temperature Range:	-40°F ~ 220°F
Maximum Pressure:	7500 psi

Surface Finish

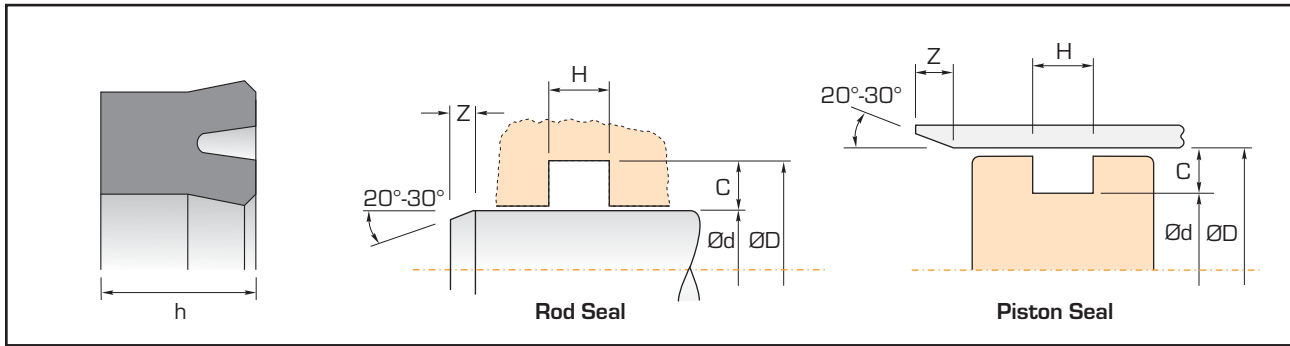
Dynamic Sealing Face:	4 ~ 16 µinCLA
Static Sealing Face:	63 µinCLA max
Other Faces:	125 µinCLA max

Extrusion Gap (Diametral)

Pressure (psi)	1500	3000	4500	6000	7500
Maximum gap (in)	0.030	0.016	0.010	0.007	0.004

Chamfers

$$\text{Minimum } Z = C \times 0.85 \quad \text{where } C = (\text{ØD} - \text{Ød}) \div 2$$

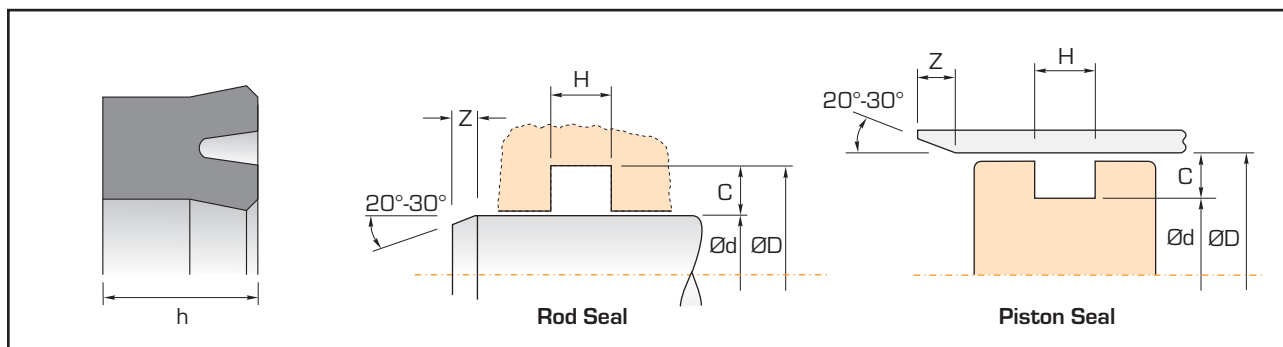


Metric Sizes

Part No.	Ød	ØD	H	h
<i>Tolerances</i>	<i>f7</i>	<i>H10</i>	<i>+0.25 -0</i>	
M93-4.5-RSS	3.00	9.00	5.00	4.50
M104-4-RSS	4.00	10.00	4.50	4.00
M104-4.5-RSS	4.00	10.00	5.00	4.50
M126-4-RSS	6.00	12.00	4.50	4.00
M157-7-RSS	7.00	15.00	8.00	7.00
M148-6-RSS	8.00	14.00	7.00	6.00
M168-5.7-RSS	8.00	16.00	6.30	5.70
M188-9-RSS	8.00	18.00	10.00	9.00
M159-8-RSS	9.00	15.00	9.00	8.00
M199-6-RSS	9.00	19.00	7.00	6.00
M1610-6-RSS	10.00	16.00	6.50	6.00
M1810-8-RSS	10.00	18.00	9.00	8.00
M2012-7-RSS	12.00	20.00	8.00	7.00
M2012-8-RSS	12.00	20.00	9.00	8.00
M2212-5-RSS	12.00	22.00	6.00	5.00
M2212-7-RSS	12.00	22.00	8.00	7.00
M2212-8-RSS	12.00	22.00	9.00	8.00
M2214-6-RSS	14.00	22.00	7.00	6.00
M2214-8-RSS	14.00	22.00	9.00	8.00
M2214-11-RSS	14.00	22.00	12.00	11.00
M2515-10-RSS	15.00	25.00	11.00	10.00
M2216-4-RSS	16.00	22.00	4.50	4.00
M2216-5-RSS	16.00	22.00	5.50	5.00
M2416-9-RSS	16.00	24.00	10.00	9.00
M2616-5-RSS	16.00	26.00	6.00	5.00
M2616-10-RSS	16.00	26.00	11.00	10.00
M2517-10-RSS	17.00	25.00	11.00	10.00
M2618-6.5-RSS	18.00	26.00	7.50	6.50
M2618-8-RSS	18.00	26.00	9.00	8.00
M2618-8.5-RSS	18.00	26.00	9.50	8.50
M2519-6-RSS	19.00	25.00	7.00	6.00
M2820-8-RSS	20.00	28.00	9.00	8.00
M3520-12-RSS	20.00	35.00	13.00	12.00
M4020-10-RSS	20.00	40.00	11.00	10.00
M4020-12-RSS	20.00	40.00	13.00	12.00

Metric Sizes (cont'd)

Part No.	Ød	ØD	H	h
M2822-8-RSS	22.00	28.00	9.00	8.00
M3022-6-RSS	22.00	30.00	7.00	6.00
M3022-10-RSS	22.00	30.00	11.00	10.00
M3222-8-RSS	22.00	32.00	9.00	8.00
M3525-5-RSS	25.00	35.00	5.50	5.00
M3828-8-RSS	28.00	38.00	9.00	8.00
M3830-6-RSS	30.00	38.00	6.50	6.00
M4030-5-RSS	30.00	40.00	5.50	5.00
M5030-12-RSS	30.00	50.00	13.00	12.00
M4032-5.5-RSS	32.00	40.00	6.00	5.50
M4032-8-RSS	32.00	40.00	9.00	8.00
M4535-8-RSS	35.00	45.00	9.00	8.00
M5535-10-RSS	35.00	55.00	11.00	10.00
M5535-12-RSS	35.00	55.00	13.00	12.00
M4636-7-RSS	36.00	46.00	8.00	7.00
M4638-6.5-RSS	38.00	46.00	7.50	6.50
M5838-10-RSS	38.00	58.00	11.00	10.00
M4840-11-RSS	40.00	48.00	12.00	11.00
M5040-6.5-RSS	40.00	50.00	7.50	6.50
M5040-8-RSS	40.00	50.00	9.00	8.00
M6040-10-RSS	40.00	60.00	11.00	10.00
M6040-13-RSS	40.00	60.00	14.00	13.00
M6040-18-RSS	40.00	60.00	19.00	18.00
M6540-12-RSS	40.00	65.00	13.00	12.00
M5042-8-RSS	42.00	50.00	9.00	8.00
M5242-9-RSS	42.00	52.00	10.00	9.00
M6242-12-RSS	42.00	62.00	13.00	12.00
M5545-6.5-RSS	45.00	55.00	7.50	6.50
M6545-12-RSS	45.00	65.00	13.00	12.00
M5848-10-RSS	48.00	58.00	11.00	10.00
M6050-11-RSS	50.00	60.00	12.00	11.00
M7050-10-RSS	50.00	70.00	11.00	10.00
M7050-18-RSS	50.00	70.00	19.00	18.00
M6252-12-RSS	52.00	62.00	13.00	12.00
M6353-6.5-RSS	53.00	63.00	7.50	6.50
M6555-12-RSS	55.00	65.00	13.00	12.00



Metric Sizes (cont'd)

Part No.	Ød	ØD	H	h
<i>Tolerances</i>	<i>f7</i>	<i>H10</i>	<i>+0.25 -0</i>	
M7055-12-RSS	55.00	70.00	13.00	12.00
M8055-12-RSS	55.00	80.00	13.00	12.00
M7060-12-RSS	60.00	70.00	13.00	12.00
M7560-12-RSS	60.00	75.00	13.00	12.00
M8060-10-RSS	60.00	80.00	11.00	10.00
M8060-18-RSS	60.00	80.00	19.00	18.00
M8560-12.5-RSS	60.00	85.00	13.50	12.50
M8363-15-RSS	63.00	83.00	16.00	15.00
M7565-12-RSS	65.00	75.00	13.00	12.00
M8065-11-RSS	65.00	80.00	12.00	11.00
M8065-12-RSS	65.00	80.00	13.00	12.00
M8565-10-RSS	65.00	85.00	11.00	10.00
M7666-8-RSS	66.00	76.00	9.00	8.00
M7767-10-RSS	67.00	77.00	11.00	10.00
M7767-12-RSS	67.00	77.00	13.00	12.00
M8070-5-RSS	70.00	80.00	6.00	5.00
M8070-8-RSS	70.00	80.00	9.00	8.00
M8070-10-RSS	70.00	80.00	11.00	10.00
M8570-12-RSS	70.00	85.00	13.00	12.00
M9070-18-RSS	70.00	90.00	19.00	18.00
M9570-12-RSS	70.00	95.00	13.00	12.00
M9075-7.5-RSS	75.00	90.00	8.50	7.50
M9075-10-RSS	75.00	90.00	11.00	10.00
M9075-12-RSS	75.00	90.00	13.00	12.00
M10080-10-RSS	80.00	100.00	11.00	10.00
M9282-10-RSS	82.00	92.00	11.00	10.00
M9585-8.5-RSS	85.00	95.00	9.50	8.50
M9585-12-RSS	85.00	95.00	13.00	12.00
M10085-12-RSS	85.00	100.00	13.00	12.00
M10090-7-RSS	90.00	100.00	8.00	7.00
M10090-8-RSS	90.00	100.00	9.00	8.00
M10590-12-RSS	90.00	105.00	13.00	12.00
M11090-18-RSS	90.00	110.00	19.00	18.00
M11590-22-RSS	90.00	115.00	23.00	22.00
M11095-12-RSS	95.00	110.00	13.00	12.00

Metric Sizes (cont'd)

Part No.	Ød	ØD	H	h
M11095-15-RSS	95.00	110.00	16.00	15.00
M11595-18-RSS	95.00	115.00	19.00	18.00
M115100-12-RSS	100.00	115.00	13.00	12.00
M125100-12-RSS	100.00	125.00	13.00	12.00
M125100-15-RSS	100.00	125.00	16.00	15.00
M120105-8-RSS	105.00	120.00	9.00	8.00
M120105-15-RSS	105.00	120.00	16.00	15.00
M125105-12-RSS	105.00	125.00	13.00	12.00
M125110-15-RSS	110.00	125.00	16.00	15.00
M130110-18-RSS	110.00	130.00	19.00	18.00
M140115-15-RSS	115.00	140.00	16.00	15.00
M140115-22-RSS	115.00	140.00	23.00	22.00
M140125-11-RSS	125.00	140.00	12.00	11.00
M140125-15-RSS	125.00	140.00	16.00	15.00
M145125-18-RSS	125.00	145.00	19.00	18.00
M150135-15-RSS	135.00	150.00	16.00	15.00
M160135-15-RSS	135.00	160.00	16.00	15.00
M160140-12-RSS	140.00	160.00	13.00	12.00
M170150-18-RSS	150.00	170.00	19.00	18.00
M180160-15-RSS	160.00	180.00	16.00	15.00
M190170-15-RSS	170.00	190.00	16.00	15.00
M200180-15-RSS	180.00	200.00	16.00	15.00
M245225-15-RSS	225.00	245.00	16.00	15.00
M270245-15-RSS	245.00	270.00	16.00	15.00
M290265-17-RSS	265.00	290.00	18.00	17.00
M290270-17-RSS	270.00	290.00	18.00	17.00
M300280-15-RSS	280.00	300.00	16.00	15.00
M320305-17-RSS	305.00	320.00	18.00	17.00