

- Category**
- Seal, Single Acting Rod or Piston
- Construction**
- Urethane symmetrical U-ring with knifed sealing lips
- Housing**
- Rectangular groove in one piece gland or piston
- Duty**
- Medium to light
- Features**
- Solid U-ring reduces sensitivity to pressure fluctuations
- Size Range**
- Metric

**Metric Specifications**

**Operating Conditions**

Maximum Speed:	0.8 m/sec
Temperature Range:	-40°C ~ 105°C
Maximum Pressure:	500 bar

**Surface Finish**

Dynamic Sealing Face:	0.1 ~ 0.4 µmRa
Static Sealing Face:	1.6 µmRa max
Other Faces:	3.2 µmRa max

**Extrusion Gap (Diametral)**

Pressure (bar)	100	200	300	400	500
Maximum gap (mm)	0.80	0.40	0.25	0.17	0.10

**Chamfers**

Minimum $Z = C \times 0.85$	where $C = (\varnothing D - \varnothing d) \div 2$
-----------------------------	--

**Imperial Specifications**

**Operating Conditions**

Maximum Speed:	2.5 ft/sec
Temperature Range:	-40°F ~ 220°F
Maximum Pressure:	7500 psi

**Surface Finish**

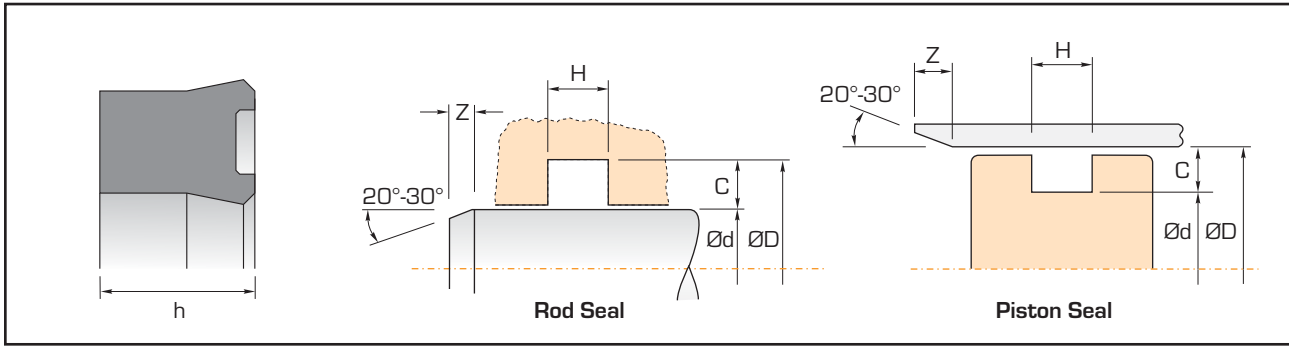
Dynamic Sealing Face:	4 ~ 16 µinCLA
Static Sealing Face:	63 µinCLA max
Other Faces:	125 µinCLA max

**Extrusion Gap (Diametral)**

Pressure (psi)	1500	3000	4500	6000	7500
Maximum gap (in)	0.030	0.016	0.010	0.007	0.004

**Chamfers**

Minimum $Z = C \times 0.85$	where $C = (\varnothing D - \varnothing d) \div 2$
-----------------------------	--



## Metric Sizes

Part No.	Ød	ØD	H	h
<i>Tolerances</i>	<i>f7</i>	<i>H10</i>	<i>+0.25 -0</i>	
M1812-4.5-TS	12.00	18.00	5.00	4.50
M2012-5.8-TS	12.00	20.00	6.30	5.80
M2216-4-TS	16.00	22.00	4.50	4.00
M2818-5.8-TS	18.00	28.00	6.30	5.80
M2520-3-TS	20.00	25.00	3.50	3.00
M2520-3.7-TS	20.00	25.00	4.50	3.70
M2720-5.7-TS	20.00	27.00	6.50	5.70
M3020-7.2-TS	20.00	30.00	8.00	7.20
M3020-10-TS	20.00	30.00	11.00	10.00
M2721-4.5-TS	21.00	27.00	5.00	4.50
M3222-7-TS	22.00	32.00	8.00	7.00
M3222-8-TS	22.00	32.00	9.00	8.00
M3024-4.5-TS	24.00	30.00	5.00	4.50
M3424-5.7-TS	24.00	34.00	6.50	5.70
M3225-4-TS	25.00	32.00	5.00	4.00
M3525-5-TS	25.00	35.00	6.00	5.00
M3525-7-TS	25.00	35.00	8.00	7.00
M3525-9-TS	25.00	35.00	10.00	9.00
M3625-5-TS	25.00	36.00	6.00	5.00
M3828-7-TS	28.00	38.00	8.00	7.00
M4032-8-TS	32.00	40.00	9.00	8.00
M4232-7-TS	32.00	42.00	8.00	7.00
M4232-8-TS	32.00	42.00	9.00	8.00
M4636-7-TS	36.00	46.00	8.00	7.00
M4538-6-TS	38.00	45.00	7.00	6.00
M4840-5.8-TS	40.00	48.00	6.30	5.80
M5040-7-TS	40.00	50.00	8.00	7.00
M5342-9-TS	42.00	53.00	10.00	9.00
M5345-5.8-TS	45.00	53.00	6.30	5.80
M5345-10-TS	45.00	53.00	11.00	10.00
M5545-7-TS	45.00	55.00	8.00	7.00
M5446-8-TS	46.00	54.00	9.00	8.00
M6050-7-TS	50.00	60.00	8.00	7.00
M6250-8-TS	50.00	62.00	9.00	8.00
M6250-10-TS	50.00	62.00	11.00	10.00

## Metric Sizes (cont'd)

Part No.	Ød	ØD	H	h
M6656-10-TS	56.00	66.00	11.00	10.00
M6860-13-TS	60.00	68.00	14.00	13.00
M7260-9-TS	60.00	72.00	10.00	9.00
M6961-8-TS	61.00	69.00	9.00	8.00
M7563-10-TS	63.00	75.00	11.00	10.00
M8066-10-TS	66.00	80.00	11.00	10.00
M7668-8-TS	68.00	76.00	9.00	8.00
M8070-7-TS	70.00	80.00	8.00	7.00
M8070-10-TS	70.00	80.00	11.00	10.00
M8270-9-TS	70.00	82.00	10.00	9.00
M7872-6-TS	72.00	78.00	7.00	6.00
M8575-7.2-TS	75.00	85.00	8.00	7.20
M8476-8-TS	76.00	84.00	9.00	8.00
M8678-13-TS	78.00	86.00	14.00	13.00
M9378-10.5-TS	78.00	93.00	11.50	10.50
M9080-7.2-TS	80.00	90.00	8.00	7.20
M9080-14-TS	80.00	90.00	15.00	14.00
M9585-7-TS	85.00	95.00	8.00	7.00
M9286-6-TS	86.00	92.00	7.00	6.00
M9688-8-TS	88.00	96.00	9.00	8.00
M9690-4.8-TS	90.00	96.00	5.50	4.80
M10090-6.5-TS	90.00	100.00	7.50	6.50
M9991-8-TS	91.00	99.00	9.00	8.00
M10597-13-TS	97.00	105.00	14.00	13.00
M115107-8-TS	107.00	115.00	9.00	8.00
M126118-13-TS	118.00	126.00	14.00	13.00
M135120-15-TS	120.00	135.00	16.00	15.00
M134126-8-TS	126.00	134.00	9.00	8.00
M151143-13-TS	143.00	151.00	14.00	13.00
M153145-8-TS	145.00	153.00	9.00	8.00
M155147-10-TS	147.00	155.00	11.00	10.00
M180170-10-TS	170.00	180.00	11.00	10.00