

## Category

- Seal, Single Acting Rod

## Construction

- Urethane asymmetric twin lip rod U-ring with knifed sealing lips

## Housing

- Rectangular groove in one piece gland

## Duty

- Medium to light

## Features

- Solid U-ring reduces sensitivity to pressure fluctuations
- Second sealing lip on heel for stability, primary lip protection and dry rod sealing

## Size Range

- Metric

## Metric Specifications

### Operating Conditions

Maximum Speed:	0.8 m/sec
Temperature Range:	-40°C ~ 105°C
Maximum Pressure:	500 bar

### Surface Finish

Dynamic Sealing Face:	0.1 ~ 0.4 µmRa
Static Sealing Face:	1.6 µmRa max
Other Faces:	3.2 µmRa max

### Extrusion Gap (Diametral)

Pressure (bar)	100	200	300	400	500
Maximum gap (mm)	0.80	0.40	0.25	0.17	0.10

### Chamfers

$$\text{Minimum } Z = C \times 0.85 \quad \text{where } C = (\text{ØD} - \text{Ød}) \div 2$$

## Imperial Specifications

### Operating Conditions

Maximum Speed:	2.5 ft/sec
Temperature Range:	-40°F ~ 220°F
Maximum Pressure:	7500 psi

### Surface Finish

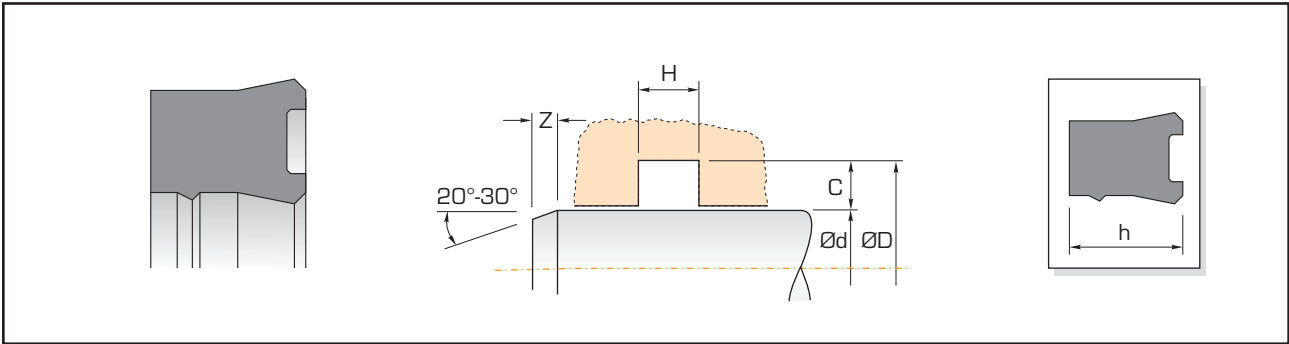
Dynamic Sealing Face:	4 ~ 16 µinCLA
Static Sealing Face:	63 µinCLA max
Other Faces:	125 µinCLA max

### Extrusion Gap (Diametral)

Pressure (psi)	1500	3000	4500	6000	7500
Maximum gap (in)	0.030	0.016	0.010	0.007	0.004

### Chamfers

$$\text{Minimum } Z = C \times 0.85 \quad \text{where } C = (\text{ØD} - \text{Ød}) \div 2$$



## Metric Sizes

Part No.	Ød	ØD	H	h
<i>Tolerances</i>	<i>f7</i>	<i>H10</i>	<i>+0.25 -0</i>	
M146-5.8-TSL	6.00	14.00	6.30	5.80
M168-5.8-TSL	8.00	16.00	6.30	5.80
M1610-4.8-TSL	10.00	16.00	5.40	4.80
M1810-5.8-TSL	10.00	18.00	6.30	5.80
M1912-5.7-TSL	12.00	19.00	6.30	5.70
M2312-6.5-TSL	12.00	23.00	7.50	6.50
M2014-4.8-TSL	14.00	20.00	5.30	4.80
M2618-8-TSL	18.00	26.00	9.00	8.00
M2818-5.8-TSL	18.00	28.00	6.30	5.80
M3020-4.5-TSL	20.00	30.00	5.00	4.50
M3020-7-TSL	20.00	30.00	8.00	7.00
M3525-5.8-TSL	25.00	35.00	6.30	5.80
M3828-5.8-TSL	28.00	38.00	6.30	5.80
M3830-7-TSL	30.00	38.00	8.00	7.00
M42.532-8-TSL	32.00	42.50	9.00	8.00
M4535-12.5-TSL	35.00	45.00	13.50	12.50
M5038-8.5-TSL	38.00	50.00	9.50	8.50
M6040-10-TSL	40.00	60.00	11.00	10.00
M5242-8-TSL	42.00	52.00	9.00	8.00
M6048-6-TSL	48.00	60.00	7.00	6.00
M6050-9-TSL	50.00	60.00	10.00	9.00
M7050-13.5-TSL	50.00	70.00	14.50	13.50
M6355-8-TSL	55.00	63.00	9.00	8.00
M7156-11.5-TSL	56.00	71.00	12.50	11.50
M6860-8-TSL	60.00	68.00	9.00	8.00
M6860-11.5-TSL	60.00	68.00	12.50	11.50
M7160-8-TSL	60.00	71.00	9.00	8.00
M7260-9-TSL	60.00	72.00	10.00	9.00
M6961-8-TSL	61.00	69.00	9.00	8.00
M7565-12.5-TSL	65.00	75.00	13.50	12.50
M8570-11.5-TSL	70.00	85.00	12.50	11.50
M82.473-7-TSL	73.00	82.40	8.00	7.00
M8375-8-TSL	75.00	83.00	9.00	8.00
M8575-7-TSL	75.00	85.00	8.00	7.00
M9075-10.5-TSL	75.00	90.00	11.50	10.50

## Metric Sizes (cont'd)

Part No.	Ød	ØD	H	h
M8880-11.5-TSL	80.00	88.00	12.50	11.50
M9580-11-TSL	80.00	95.00	12.00	11.00
M9680-9.5-TSL	80.00	96.00	10.50	9.50
M9385-11.5-TSL	85.00	93.00	12.50	11.50
M9585-12-TSL	85.00	95.00	13.00	12.00
M10186-12-TSL	86.00	101.00	13.00	12.00
M9688-8-TSL	88.00	96.00	9.00	8.00
M10590-11.5-TSL	90.00	105.00	12.50	11.50
M11090-14-TSL	90.00	110.00	15.00	14.00
M9991-8-TSL	91.00	99.00	9.00	8.00
M108100-11.5-TSL	100.00	108.00	12.50	11.50
M116108-8-TSL	108.00	116.00	9.00	8.00
M127112-12-TSL	112.00	127.00	13.00	12.00
M128120-11.5-TSL	120.00	128.00	12.50	11.50
M134126-8-TSL	126.00	134.00	9.00	8.00
M145130-15-TSL	130.00	145.00	16.00	15.00
M155130-15-TSL	130.00	155.00	16.00	15.00
M150135-11.5-TSL	135.00	150.00	12.50	11.50
M152137-12-TSL	137.00	152.00	13.00	12.00
M150140-11.5-TSL	140.00	150.00	12.50	11.50
M156146-10-TSL	146.00	156.00	11.00	10.00
M178163-12-TSL	163.00	178.00	13.00	12.00
M180170-10-TSL	170.00	180.00	11.00	10.00
M203188-12-TSL	188.00	203.00	13.00	12.00
M209197-12-TSL	197.00	209.00	13.00	12.00
M237218-16-TSL	218.00	237.00	17.00	16.00
M240228-12-TSL	228.00	240.00	13.00	12.00
M325300-24-TSL	300.00	325.00	25.00	24.00