

Category

- Seal, Single Acting Rod

Construction

- Urethane asymmetric twin lip rod U-ring with knifed sealing lips and antiextrusion ring

Housing

- Rectangular groove in one piece gland

Duty

- Heavy

Features

- Solid U-ring reduces sensitivity to pressure fluctuations
- Second sealing lip on heel for stability, primary lip protection and dry rod sealing
- Antiextrusion ring

Size Range

- Metric

Metric Specifications

Operating Conditions

Maximum Speed:	0.8 m/sec
Temperature Range:	-40°C ~ 105°C
Maximum Pressure:	500 bar

Surface Finish

Dynamic Sealing Face:	0.1 ~ 0.4 µmRa
Static Sealing Face:	1.6 µmRa max
Other Faces:	3.2 µmRa max

Extrusion Gap (Diametral)

Pressure (bar)	100	200	300	400	500
Maximum gap (mm)	1.60	0.80	0.50	0.35	0.25

Chamfers

$$\text{Minimum } Z = C \times 0.85 \quad \text{where } C = (\text{Ø}D - \text{Ø}d) \div 2$$

Imperial Specifications

Operating Conditions

Maximum Speed:	2.5 ft/sec
Temperature Range:	-40°F ~ 220°F
Maximum Pressure:	7500 psi

Surface Finish

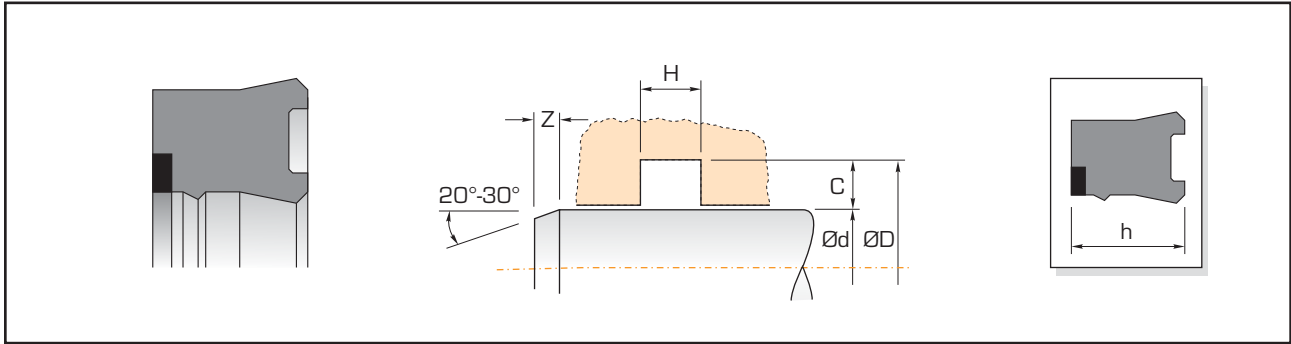
Dynamic Sealing Face:	4 ~ 16 µinCLA
Static Sealing Face:	63 µinCLA max
Other Faces:	125 µinCLA max

Extrusion Gap (Diametral)

Pressure (psi)	1500	3000	4500	6000	7500
Maximum gap (in)	0.060	0.030	0.020	0.015	0.010

Chamfers

$$\text{Minimum } Z = C \times 0.85 \quad \text{where } C = (\text{Ø}D - \text{Ø}d) \div 2$$



Metric Sizes

Part No.	Ød	ØD	H	h
<i>Tolerances</i>	<i>f7</i>	<i>H10</i>	<i>+0.25 -0</i>	
M4532-9.5-TSLA	32.00	45.00	10.50	9.50
M4840-8-TSLA	40.00	48.00	9.00	8.00
M5040-10-TSLA	40.00	50.00	11.00	10.00
M5240-10-TSLA	40.00	52.00	11.00	10.00
M5240-17-TSLA	40.00	52.00	18.00	17.00
M5540-7.5-TSLA	40.00	55.00	8.50	7.50
M5540-10-TSLA	40.00	55.00	11.00	10.00
M5545-10-TSLA	45.00	55.00	11.00	10.00
M6045-10-TSLA	45.00	60.00	11.00	10.00
M6050-10-TSLA	50.00	60.00	11.00	10.00
M6550-10-TSLA	50.00	65.00	11.00	10.00
M7050-12-TSLA	50.00	70.00	13.00	12.00
M6555-10-TSLA	55.00	65.00	11.00	10.00
M7060-12.5-TSLA	60.00	70.00	13.50	12.50
M7560-12-TSLA	60.00	75.00	13.00	12.00
M8060-12-TSLA	60.00	80.00	13.00	12.00
M7563-12-TSLA	63.00	75.00	13.00	12.00
M7863-12.5-TSLA	63.00	78.00	13.50	12.50
M8363-13.5-TSLA	63.00	83.00	14.50	13.50
M7565-12-TSLA	65.00	75.00	13.00	12.00
M8065-11.5-TSLA	65.00	80.00	12.50	11.50
M8570-12-TSLA	70.00	85.00	13.00	12.00
M9070-12-TSLA	70.00	90.00	13.00	12.00
M9070-13.5-TSLA	70.00	90.00	14.50	13.50
M8575-12-TSLA	75.00	85.00	13.00	12.00
M9075-12-TSLA	75.00	90.00	13.00	12.00
M9575-13.5-TSLA	75.00	95.00	14.50	13.50
M8880-9-TSLA	80.00	88.00	10.00	9.00
M9680-9.5-TSLA	80.00	96.00	10.50	9.50
M10080-11.5-TSLA	80.00	100.00	12.50	11.50
M10080-13.5-TSLA	80.00	100.00	14.50	13.50
M10585-12-TSLA	85.00	105.00	13.00	12.00
M10585-13.5-TSLA	85.00	105.00	14.50	13.50
M10590-8.5-TSLA	90.00	105.00	9.50	8.50
M10590-12-TSLA	90.00	105.00	13.00	12.00

Metric Sizes (cont'd)

Part No.	Ød	ØD	H	h
M11090-11.5-TSLA	90.00	110.00	12.50	11.50
M11090-12-TSLA	90.00	110.00	13.00	12.00
M11595-13.5-TSLA	95.00	115.00	14.50	13.50
M110100-12.5-TSLA	100.00	110.00	13.50	12.50
M113100-12.5-TSLA	100.00	113.00	13.50	12.50
M120100-13.5-TSLA	100.00	120.00	14.50	13.50
M125105-12-TSLA	105.00	125.00	13.00	12.00
M120110-13.5-TSLA	110.00	120.00	14.50	13.50
M125110-12-TSLA	110.00	125.00	13.00	12.00
M130110-12-TSLA	110.00	130.00	13.00	12.00
M130115-16-TSLA	115.00	130.00	17.00	16.00
M140120-11.5-TSLA	120.00	140.00	12.50	11.50
M140127-12.5-TSLA	127.00	140.00	13.50	12.50
M160140-14-TSLA	140.00	160.00	15.00	14.00
M165140-18-TSLA	140.00	165.00	19.00	18.00
M185160-18-TSLA	160.00	185.00	19.00	18.00