

Category

- Vee Pack

Construction

- Vees - Fabric reinforced and homogenous NBR
- Adaptors - Acetal, nylon or hard fabric reinforced NBR

Housing

- Rectangular groove in two piece gland or piston

Duty

- Medium to heavy

Features

- Reinforced vees provide reliable sealing in severe operating conditions
- Homogeneous vees provide reliable low pressure sealing

Comments

- Male adaptors, female adaptors, fabric reinforced vees and homogeneous vees are purchased individually to makeup the required vee pack set combination

Size Range

- Imperial

Metric Specifications

Operating Conditions

Maximum Speed:	0.5 m/sec
Temperature Range:	-30°C ~ 100°C
Maximum Pressure:	600 bar

Surface Finish

Dynamic Sealing Face:	0.1 ~ 0.4 µmRa
Static Sealing Face:	1.6 µmRa max
Other Faces:	3.2 µmRa max

Extrusion Gap (Diametral)

Pressure (bar)	100	160	250	400	700
Maximum Gap (mm)	0.45	0.40	0.30	0.20	0.10

Chamfers

$$\text{Minimum } Z = C \times 0.85 \quad \text{where } C = (\text{Ø}D - \text{Ø}d) \div 2$$

Imperial Specifications

Operating Conditions

Maximum Speed:	1.5 ft/sec
Temperature Range:	-22°F ~ 212°F
Maximum Pressure:::	10 000 psi

Surface Finish

Dynamic Sealing Face:	4 ~ 16 µinCLA
Static Sealing Face:	63 µinCLA max
Other Faces:	125 µinCLA max

Extrusion Gap (Diametral)

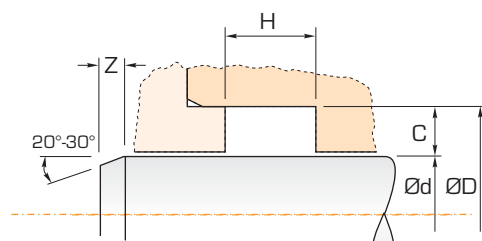
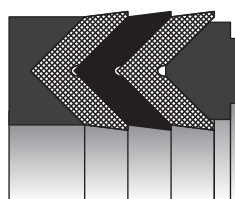
Pressure (psi)	1500	2400	3750	6000	10 000
Maximum Gap (in)	0.018	0.016	0.012	0.008	0.004

Chamfers

$$\text{Minimum } Z = C \times 0.85 \quad \text{where } C = (\text{Ø}D - \text{Ø}d) \div 2$$

Pack Height

- Imperial sizes vees are available in many diameters and heights. Contact Transeals for stack height information on this product.



Imperial Sizes

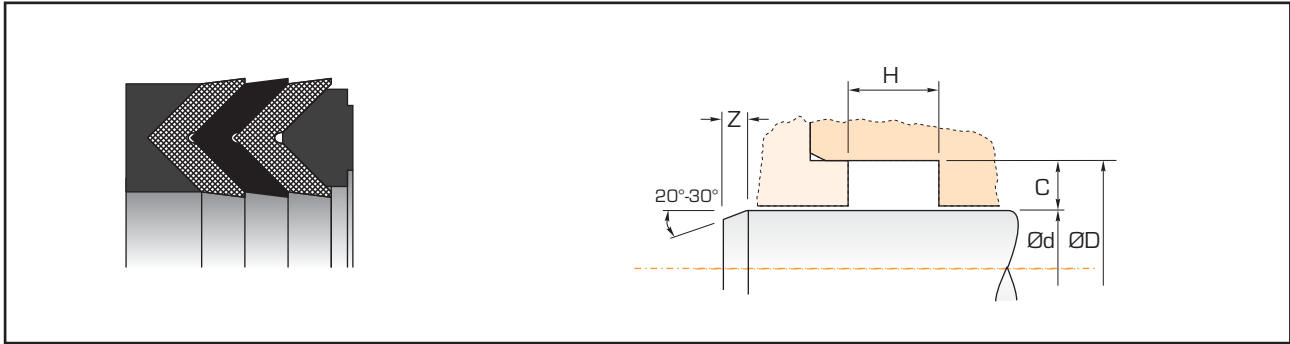
Part No.	Ød	ØD
V087050	0.500	0.875
V095062	0.625	0.950
V100037	0.375	1.000
V100050	0.500	1.000
V100062	0.625	1.000
V112062	0.625	1.125
V112075	0.750	1.125
V118075	0.750	1.187
V125050	0.500	1.250
V125075	0.750	1.250
V125087	0.875	1.250
V137075	0.750	1.375
V137087	0.875	1.375
V143093	0.937	1.437
V150087	0.875	1.500
V150100	1.000	1.500
V162100	1.000	1.625
V162112	1.125	1.625
V175100	1.000	1.750
V175112	1.125	1.750
V175125	1.250	1.750
V187112	1.125	1.875
V187125	1.250	1.875
V187137	1.375	1.875
V200118	1.187	2.000
V200125	1.250	2.000
V200137	1.375	2.000
V200150	1.500	2.000
V201150	1.500	2.015
V212150	1.500	2.125
V212162	1.625	2.125
V225150	1.500	2.250
V225162	1.625	2.250
V225175	1.750	2.250
V226175	1.750	2.265
V237175	1.750	2.375

Imperial Sizes (cont'd)

Part No.	Ød	ØD
V237187	1.875	2.375
V250175	1.750	2.500
V250187	1.875	2.500
V250200	2.000	2.500
V256193	1.937	2.562
V262200	2.000	2.625
V262212	2.125	2.625
V275175	1.750	2.750
V275200	2.000	2.750
V275212	2.125	2.750
V275225	2.250	2.750
V287225	2.250	2.875
V287237	2.375	2.875
V300200	2.000	3.000
V300225	2.250	3.000
V300237	2.375	3.000
V300240	2.400	3.000
V300250	2.500	3.000
V312250	2.500	3.125
V325250	2.500	3.250
V325262	2.625	3.250
V325273	2.735	3.250
V325275	2.750	3.250
V337275	2.750	3.375
V350250	2.500	3.500
V350275	2.750	3.500
V350300	3.000	3.500
V362275	2.750	3.625
V362287	2.875	3.625
V362300	3.000	3.625
V375275	2.750	3.750
V375300	3.000	3.750
V375325	3.250	3.750
V387312	3.125	3.875
V387322	3.228	3.875
V387325	3.250	3.875

Imperial Sizes (cont'd)

Part No.	Ød	ØD
V400300	3.000	4.000
V400325	3.250	4.000
V400337	3.375	4.000
V400340	3.400	4.000
V400350	3.500	4.000
V412337	3.375	4.125
V412348	3.480	4.125
V412350	3.500	4.125
V412362	3.625	4.125
V425350	3.500	4.250
V436373	3.735	4.360
V437373	3.735	4.375
V437375	3.750	4.375
V450350	3.500	4.500
V450375	3.750	4.500
V450387	3.875	4.500
V450395	3.950	4.500
V450400	4.000	4.500
V452377	3.774	4.524
V462387	3.875	4.625
V462398	3.980	4.625
V475375	3.750	4.750
V475397	3.978	4.750
V475400	4.000	4.750
V487400	4.000	4.875
V487425	4.250	4.875
V500400	4.000	5.000
V500425	4.250	5.000
V500440	4.400	5.000
V500450	4.500	5.000
V512448	4.480	5.125
V512450	4.500	5.125
V525425	4.250	5.250
V525437	4.375	5.250
V525450	4.500	5.250
V525475	4.750	5.250



Imperial Sizes (cont'd)

Part No.	Ød	ØD
V537450	4.500	5.375
V537475	4.750	5.375
V550400	4.000	5.500
V550450	4.500	5.500
V550472	4.728	5.500
V550475	4.750	5.500
V550500	5.000	5.500
V550495	4.950	5.500
V562498	4.980	5.625
V562500	5.000	5.625
V575475	4.750	5.750
V575498	4.980	5.750
V575500	5.000	5.750
V587525	5.250	5.875
V600500	5.000	6.000
V600525	5.250	6.000
V600540	5.400	6.000
V600550	5.500	6.000
V602512	5.125	6.020
V625525	5.250	6.250
V625550	5.500	6.250
V637547	5.478	6.375
V637573	5.735	6.375
V637575	5.750	6.375
V650550	5.500	6.500
V650575	5.750	6.500
V650595	5.950	6.500
V650600	6.000	6.500
V662598	5.980	6.625
V662600	6.000	6.625
V675550	5.500	6.750
V675575	5.750	6.750
V675600	6.000	6.750
V700575	5.750	7.000
V700600	6.000	7.000
V700625	6.250	7.000

Imperial Sizes (cont'd)

Part No.	Ød	ØD
V700640	6.400	7.000
V700650	6.500	7.000
V725600	6.000	7.250
V725622	6.228	7.250
V725650	6.500	7.250
V725675	6.750	7.250
V737675	6.750	7.375
V750625	6.250	7.500
V750650	6.500	7.500
V750675	6.750	7.500
V750695	6.950	7.500
V750700	7.000	7.500
V775650	6.500	7.750
V775698	6.980	7.750
V800675	6.750	8.000
V800700	7.000	8.000
V800740	7.400	8.000
V800750	7.500	8.000
V812750	7.500	8.125
V825700	7.000	8.250
V850747	7.479	8.500
V850750	7.500	8.500
V850775	7.750	8.500
V850795	7.950	8.500
V850800	8.000	8.500
V854790	7.900	8.543
V875800	8.000	8.750
V900800	8.000	9.000
V900850	8.500	9.000
V925850	8.500	9.250
V950850	8.500	9.500
V950895	8.950	9.500
V950900	9.000	9.500
V975875	8.750	9.750
V1000875	8.750	10.000
V1000900	9.000	10.000

Imperial Sizes (cont'd)

Part No.	Ød	ØD
V1000950	9.500	10.000
V1025900	9.000	10.250
V1050975	9.750	10.500
V10751000	10.000	10.750
V11001000	10.000	11.000
V12001075	10.750	12.000
V13501200	12.000	13.500
V14501300	13.000	14.500
V15001375	13.750	15.000
V15251400	14.000	15.250
V19251800	18.000	19.250