

**Category**  
Vee Pack

**Construction**

- Vees: Fabric reinforced and homogenous NBR
- Adaptors: Acetal or hard fabric reinforced NBR

**Housing**

- Rectangular groove in two piece gland

**Duty**

- Medium to heavy

**Features**

- Optimised combinations of reinforced and homogeneous vees
- Reinforced vees provide reliable sealing in severe operating conditions
- Homogeneous vees provide reliable low pressure sealing

**Comments**

- Standardised European range of sets
- Vee pack sets provide a reliable, long life sealing solution
- Vees pack sets require split housings

**Size Range**

- Metric

**Metric Specifications**

**Operating Conditions**

Maximum Speed:	0.5 m/sec
Temperature Range:	-30°C ~ 100°C
Maximum Pressure, T11 & T12:	400 bar
T13 & T14:	700 bar

**Surface Finish**

Dynamic Sealing Face:	0.1 ~ 0.4 µmRa
Static Sealing Face:	1.6 µmRa max
Other Faces:	3.2 µmRa max

**Extrusion Gap (Diametral)**

Pressure (bar)	100	160	250	400	700
Maximum Gap (mm)	0.45	0.40	0.30	0.20	0.10

**Chamfers**

Minimum Z = C x 0.85	where C = (ØD - Ød) ÷ 2
----------------------	-------------------------

**Imperial Specifications**

**Operating Conditions**

Maximum Speed:	1.5 ft/sec
Temperature Range:	-22°F ~ 212°F
Maximum Pressure, T11 & T12:	6000 psi
T13 & T14:	10 000 psi

**Surface Finish**

Dynamic Sealing Face:	4 ~ 16 µinCLA
Static Sealing Face:	63 µinCLA max
Other Faces:	125 µinCLA max

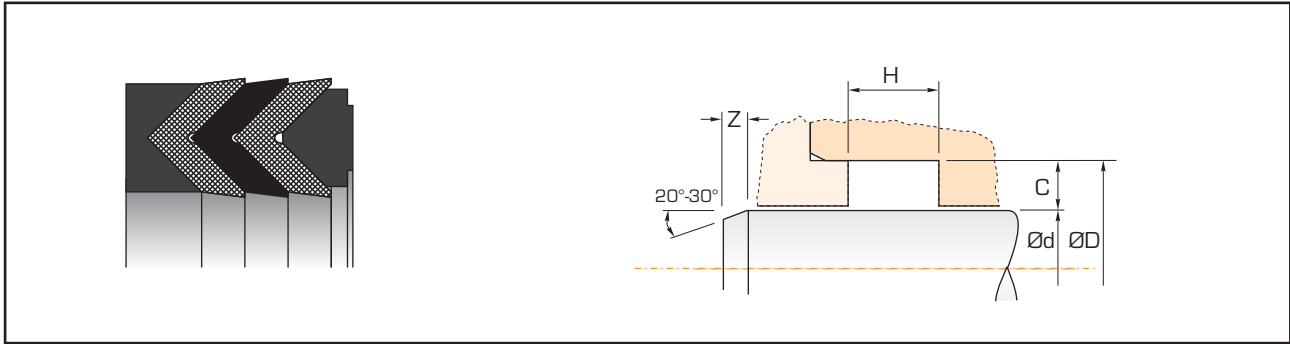
**Extrusion Gap (Diametral)**

Pressure (psi)	1500	2400	3750	6000	10 000
Maximum Gap (in)	0.018	0.016	0.012	0.008	0.004

**Chamfers**

Minimum Z = C x 0.85	where C = (ØD - Ød) ÷ 2
----------------------	-------------------------

# VM/T11, T12, T13, T14



## Metric Sizes

Part No.	Ød	ØD	H
<i>Tolerances</i>	<i>f9</i>	<i>H11</i>	<i>+0.20-0</i>
VM3020T12	20.00	30.00	13.50
VM3020T11	20.00	30.00	18.50
VM3220T14	20.00	32.00	16.50
VM3220T13	20.00	32.00	22.50
VM3725T12	25.00	37.00	16.50
VM3725T11	25.00	37.00	22.50
VM4025T14	25.00	40.00	16.50
VM4025T13	25.00	40.00	22.50
VM4028T12	28.00	40.00	16.50
VM4028T11	28.00	40.00	22.50
VM4230T12	30.00	42.00	16.50
VM4230T11	30.00	42.00	22.50
VM4530T14	30.00	45.00	16.50
VM4530T13	30.00	45.00	22.50
VM4432T12	32.00	44.00	16.50
VM4432T11	32.00	44.00	22.50
VM4735T12	35.00	47.00	16.50
VM4735T11	35.00	47.00	22.50
VM5035T14	35.00	50.00	16.50
VM5035T13	35.00	50.00	22.50
VM4836T12	36.00	48.00	16.50
VM4836T11	36.00	48.00	22.50
VM5240T12	40.00	52.00	16.50
VM5240T11	40.00	52.00	22.50
VM5540T14	40.00	55.00	16.50
VM5540T13	40.00	55.00	22.50
VM5442T12	42.00	54.00	16.50
VM5442T11	42.00	54.00	22.50
VM6045T12	45.00	60.00	16.50
VM6045T11	45.00	60.00	22.50
VM6545T14	45.00	65.00	20.50
VM6545T13	45.00	65.00	27.50
VM6550T12	50.00	65.00	16.50
VM6550T11	50.00	65.00	22.50
VM7050T14	50.00	70.00	22.00
VM7050T13	50.00	70.00	30.00
VM7055T12	55.00	70.00	16.50
VM7055T11	55.00	70.00	22.50
VM7555T14	55.00	75.00	22.00

## Metric Sizes (cont'd)

Part No.	Ød	ØD	H
VM7555T13	55.00	75.00	30.00
VM7156T12	56.00	71.00	16.50
VM7156T11	56.00	71.00	22.50
VM7656T13	56.00	76.00	37.00
VM7560T12	60.00	75.00	16.50
VM7560T11	60.00	75.00	22.50
VM8060T14	60.00	80.00	27.00
VM8060T13	60.00	80.00	37.00
VM7863T11	63.00	78.00	22.50
VM8065T12	65.00	80.00	16.50
VM8065T11	65.00	80.00	22.50
VM8565T14	65.00	85.00	30.00
VM8565T13	65.00	85.00	40.00
VM8570T12	70.00	85.00	16.50
VM8570T11	70.00	85.00	22.50
VM9070T14	70.00	90.00	30.00
VM9070T13	70.00	90.00	40.00
VM9075T12	75.00	90.00	16.50
VM9075T11	75.00	90.00	22.50
VM9575T14	75.00	95.00	30.00
VM9575T13	75.00	95.00	40.00
VM9580T12	80.00	95.00	16.50
VM9580T11	80.00	95.00	22.50
VM10080T14	80.00	100.00	30.00
VM10080T13	80.00	100.00	40.00
VM10085T12	85.00	100.00	16.50
VM10085T11	85.00	100.00	22.50
VM10585T13	85.00	105.00	40.00
VM10590T12	90.00	105.00	16.50
VM10590T11	90.00	105.00	22.50
VM11090T14	90.00	110.00	30.00
VM11090T13	90.00	110.00	40.00
VM115100T12	100.00	115.00	22.00
VM115100T11	100.00	115.00	30.00
VM120100T14	100.00	120.00	30.00
VM120100T13	100.00	120.00	40.00
VM125110T12	110.00	125.00	22.00
VM125110T11	110.00	125.00	30.00
VM130110T14	110.00	130.00	30.00
VM130110T13	110.00	130.00	40.00

## Metric Sizes (cont'd)

Part No.	Ød	ØD	H
VM140115T14	115.00	140.00	34.00
VM140115T13	115.00	140.00	46.00
VM140125T12	125.00	140.00	26.00
VM140125T11	125.00	140.00	34.00
VM150125T14	125.00	150.00	34.00
VM150125T13	125.00	150.00	46.00
VM150130T13	130.00	150.00	30.00
VM155140T12	140.00	155.00	26.00
VM155140T11	140.00	155.00	34.00
VM165140T14	140.00	165.00	34.00
VM165140T13	140.00	165.00	46.00
VM170150T11	150.00	170.00	40.00
VM180150T14	150.00	180.00	45.00
VM180150T13	150.00	180.00	60.00
VM180160T11	160.00	180.00	40.00
VM190160T14	160.00	190.00	45.00
VM190160T13	160.00	190.00	60.00
VM200180T12	180.00	200.00	30.00
VM200180T11	180.00	200.00	40.00
VM210180T14	180.00	210.00	45.00
VM210180T13	180.00	210.00	60.00
VM225195T14	195.00	225.00	47.50
VM225195T13	195.00	225.00	62.50
VM220200T12	200.00	220.00	30.00
VM220200T11	200.00	220.00	40.00
VM230200T14	200.00	230.00	45.00
VM230200T13	200.00	230.00	60.00
VM250220T14	220.00	250.00	47.50
VM250220T13	220.00	250.00	62.50
VM260230T13	230.00	260.00	60.00
VM275245T14	245.00	275.00	47.50
VM275245T13	245.00	275.00	62.50
VM300270T14	270.00	300.00	47.50
VM300270T13	270.00	300.00	62.50
VM320290T13	290.00	320.00	64.00
VM360320T14	320.00	360.00	58.00
VM360320T13	320.00	360.00	78.00
VM420380T14	380.00	420.00	60.00
VM420380T13	380.00	420.00	80.00

