

Category

- Wear Ring, Rod

Construction

- Rolled low carbon steel bush
- Sintered bronze interlay
- PTFE dynamic surface

Housing

- Open rectangular groove in one piece gland

Features

- Very low friction
- Minimal lubrication requirements
- Working temperature range easily exceeds elastomer seals

Comments

- Regularly used in Asian hydraulic and pneumatic equipment
- Thin cross section permit compact housings

Size Range

- Asian metric

Metric Specifications

Operating Conditions

Maximum Speed:	2.0 m/sec
Temperature Range:	-195°C ~ 280°C

Surface Finish

Dynamic Sealing Face:	0.1 ~ 0.4 µmRa
Static Sealing Face:	3.2 µmRa max

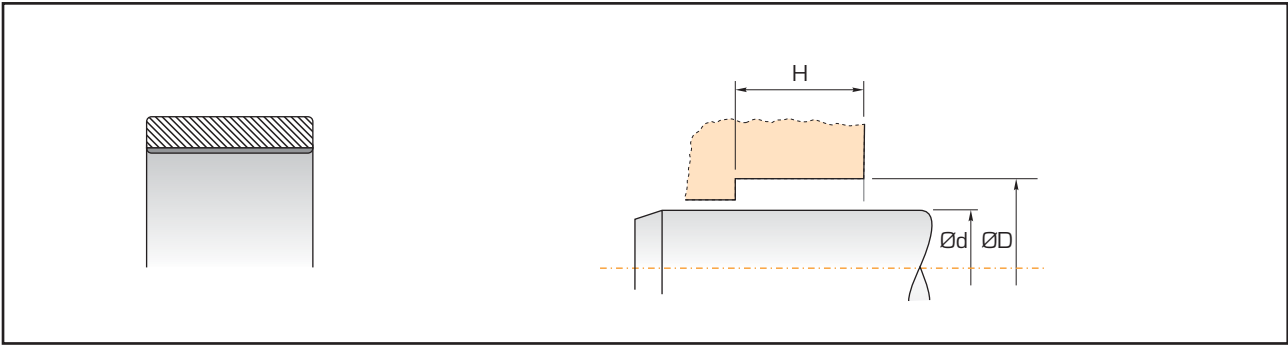
Imperial Specifications

Operating Conditions

Maximum Speed:	6.0 ft/sec
Temperature Range:	-320°F ~ 530°F

Surface Finish

Dynamic Sealing Face:	4 ~ 16 µinCLA
Static Sealing Face:	125 µinCLA max



Metric Sizes

Part No.	Ød	ØD	H
<i>Tolerances</i>	<i>f9</i>	<i>H11</i>	<i>+0.20-0</i>
BMP-20-15	20.00	23.00	15.00
BMP-20-20	20.00	23.00	20.00
BMP-20-25	20.00	23.00	25.00
BMP-25-15	25.00	28.00	15.00
BMP-25-20	25.00	28.00	20.00
BMP-25-25	25.00	28.00	25.00
BMP-25-30	25.00	28.00	30.00
BMP-26-20	26.00	30.00	20.00
BMP-30-15	30.00	34.00	15.00
BMP-30-20	30.00	34.00	20.00
BMP-30-25	30.00	34.00	25.00
BMP-30-30	30.00	34.00	30.00
BMP-32-30	32.00	36.00	30.00
BMP-32-32	32.00	36.00	32.00
BMP-32-40	32.00	36.00	40.00
BMP-35-12	35.00	39.00	12.00
BMP-35-20	35.00	39.00	20.00
BMP-35-25	35.00	39.00	25.00
BMP-35-30	35.00	39.00	30.00
BMP-35-40	35.00	39.00	40.00
BMP-40-15	40.00	45.00	15.00
BMP-40-25	40.00	45.00	25.00
BMP-40-30	40.00	45.00	30.00
BMP-40-40	40.00	45.00	40.00
BMP-40-50	40.00	45.00	50.00
BMP-45-25	45.00	50.00	25.00
BMP-45-30	45.00	50.00	30.00
BMP-45-40	45.00	50.00	40.00
BMP-45-50	45.00	50.00	50.00
BMP-50-20	50.00	55.00	20.00
BMP-50-30	50.00	55.00	30.00
BMP-50-35	50.00	55.00	35.00
BMP-50-40	50.00	55.00	40.00
BMP-50-50	50.00	55.00	50.00
BMP-50-60	50.00	55.00	60.00
BMP-55-12	55.00	60.00	12.00
BMP-55-30	55.00	60.00	30.00
BMP-55-35	55.00	60.00	35.00
BMP-55-40	55.00	60.00	40.00
BMP-55-60	55.00	60.00	60.00
BMP-60-15	60.00	65.00	15.00
BMP-60-35	60.00	65.00	35.00
BMP-60-40	60.00	65.00	40.00
BMP-60-30	60.00	65.00	60.00
BMP-60-60	60.00	65.00	60.00

Metric Sizes (cont'd)

Part No.	Ød	ØD	H
BMP-63-40	63.00	68.00	40.00
BMP-65-15	65.00	70.00	15.00
BMP-65-30	65.00	70.00	30.00
BMP-65-35	65.00	70.00	35.00
BMP-65-40	65.00	70.00	40.00
BMP-65-50	65.00	70.00	50.00
BMP-65-60	65.00	70.00	60.00
BMP-70-15	70.00	75.00	15.00
BMP-70-30	70.00	75.00	30.00
BMP-70-35	70.00	75.00	35.00
BMP-70-40	70.00	75.00	40.00
BMP-70-50	70.00	75.00	50.00
BMP-70-60	70.00	75.00	60.00
BMP-70-70	70.00	75.00	70.00
BMP-70-80	70.00	75.00	80.00
BMP-75-15	75.00	80.00	15.00
BMP-75-30	75.00	80.00	30.00
BMP-75-35	75.00	80.00	35.00
BMP-75-40	75.00	80.00	40.00
BMP-75-60	75.00	80.00	60.00
BMP-80-30	80.00	85.00	30.00
BMP-80-35	80.00	85.00	35.00
BMP-80-40	80.00	85.00	40.00
BMP-80-60	80.00	85.00	60.00
BMP-85-30	85.00	90.00	30.00
BMP-85-40	85.00	90.00	40.00
BMP-85-50	85.00	90.00	50.00
BMP-85-60	85.00	90.00	60.00
BMP-90-20	90.00	95.00	20.00
BMP-90-30	90.00	95.00	30.00
BMP-90-35	90.00	95.00	35.00
BMP-90-40	90.00	95.00	40.00
BMP-90-45	90.00	95.00	45.00
BMP-90-60	90.00	95.00	60.00
BMP-90-80	90.00	95.00	80.00
BMP-90-90	90.00	95.00	90.00
BMP-95-30	95.00	100.00	30.00
BMP-95-35	95.00	100.00	35.00
BMP-95-40	95.00	100.00	40.00
BMP-95-45	95.00	100.00	45.00
BMP-95-50	95.00	100.00	50.00
BMP-95-60	95.00	100.00	60.00
BMP-95-80	95.00	100.00	80.00
BMP-100-30	100.00	105.00	30.00
BMP-100-35	100.00	105.00	35.00
BMP-100-40	100.00	105.00	40.00

Metric Sizes (cont'd)

Part No.	Ød	ØD	H
BMP-100-50	100.00	105.00	50.00
BMP-100-60	100.00	105.00	60.00
BMP-100-70	100.00	105.00	70.00
BMP-105-35	105.00	110.00	35.00
BMP-105-40	105.00	110.00	40.00
BMP-105-50	105.00	110.00	50.00
BMP-110-20	110.00	115.00	20.00
BMP-110-35	110.00	115.00	35.00
BMP-110-40	110.00	115.00	40.00
BMP-110-50	110.00	115.00	50.00
BMP-110-55	110.00	115.00	55.00
BMP-110-60	110.00	115.00	60.00
BMP-110-70	110.00	115.00	70.00
BMP-110-95	110.00	115.00	95.00
BMP-115-35	115.00	120.00	35.00
BMP-115-50	115.00	120.00	50.00
BMP-115-60	115.00	120.00	60.00
BMP-120-20	120.00	125.00	20.00
BMP-120-35	120.00	125.00	35.00
BMP-120-40	120.00	125.00	40.00
BMP-120-50	120.00	125.00	50.00
BMP-120-60	120.00	125.00	60.00
BMP-120-70	120.00	125.00	70.00
BMP-120-95	120.00	125.00	95.00
BMP-130-35	130.00	135.00	35.00
BMP-130-40	130.00	135.00	40.00
BMP-130-50	130.00	135.00	50.00
BMP-130-60	130.00	135.00	60.00
BMP-130-70	130.00	135.00	70.00
BMP-130-80	130.00	135.00	80.00
BMP-140-20	140.00	145.00	20.00
BMP-140-35	140.00	145.00	35.00
BMP-140-40	140.00	145.00	40.00
BMP-140-50	140.00	145.00	50.00
BMP-140-70	140.00	145.00	70.00
BMP-140-80	140.00	145.00	80.00
BMP-150-50	150.00	155.00	50.00
BMP-160-50	160.00	165.00	50.00
BMP-180-60	180.00	185.00	60.00
BMP-180-90	180.00	185.00	90.00
BMP-180-120	180.00	185.00	120.00
BMP-200-20	200.00	205.00	20.00
BMP-200-50	200.00	205.00	50.00
BMP-200-70	200.00	205.00	70.00